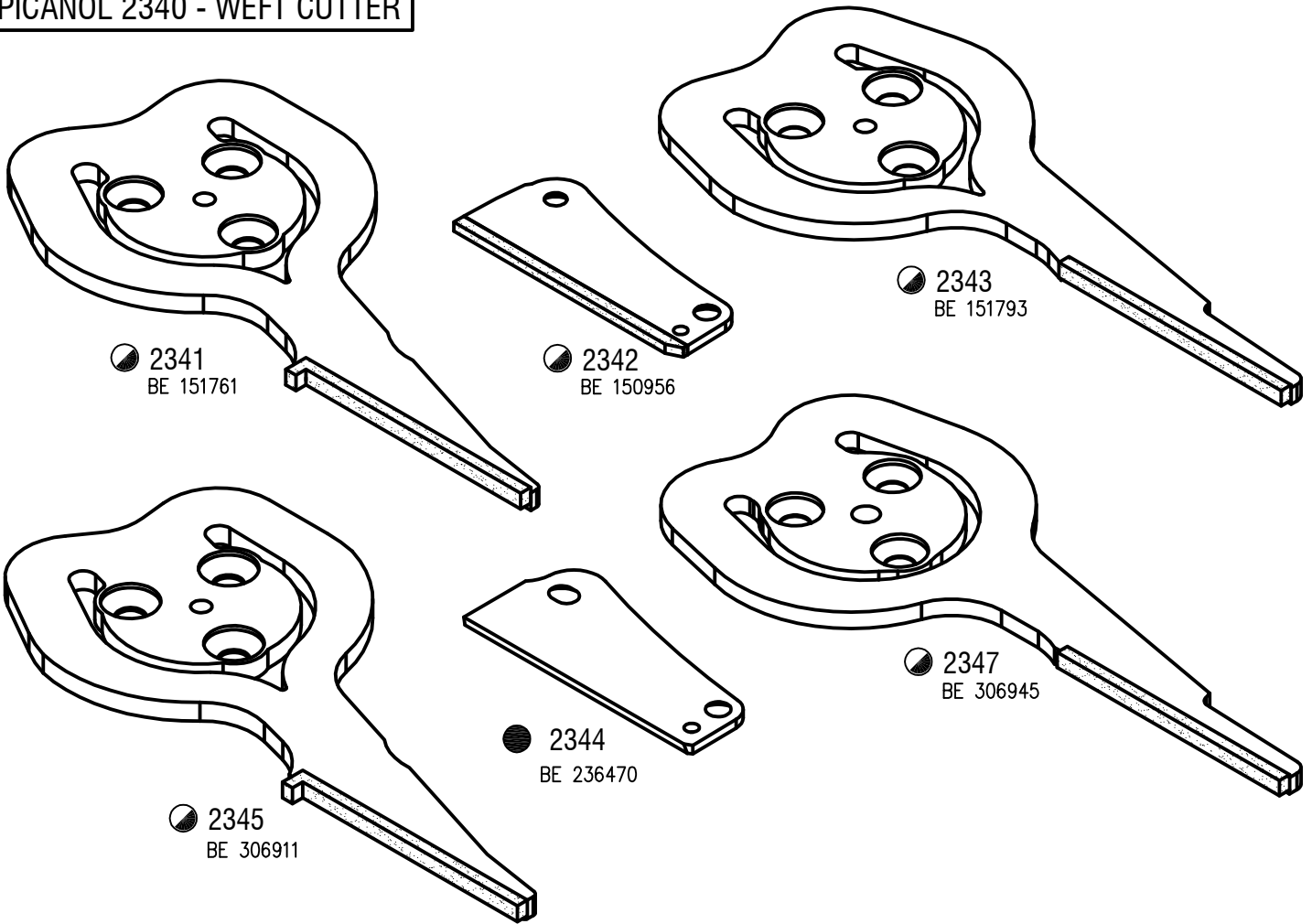
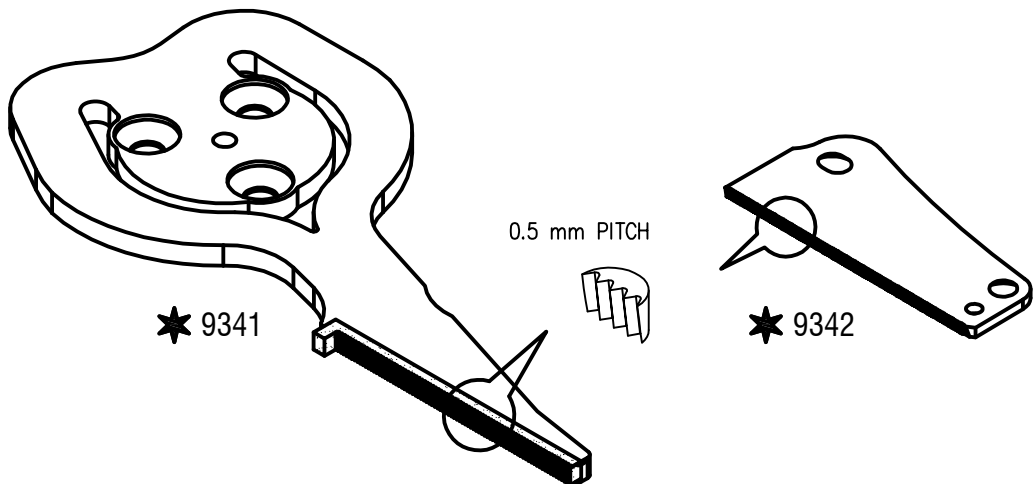


FOR PICANOL AIR JET

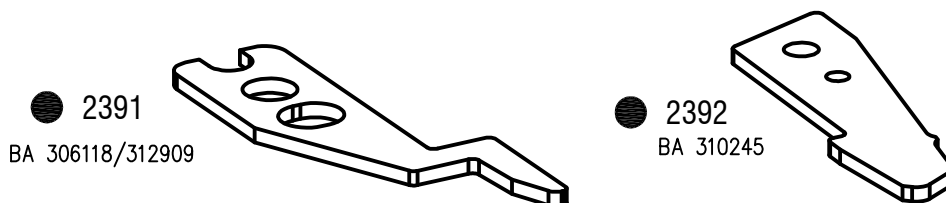
PICANOL 2340 - WEFT CUTTER



PICANOL 9340 - WEFT SERRATED CUTTER



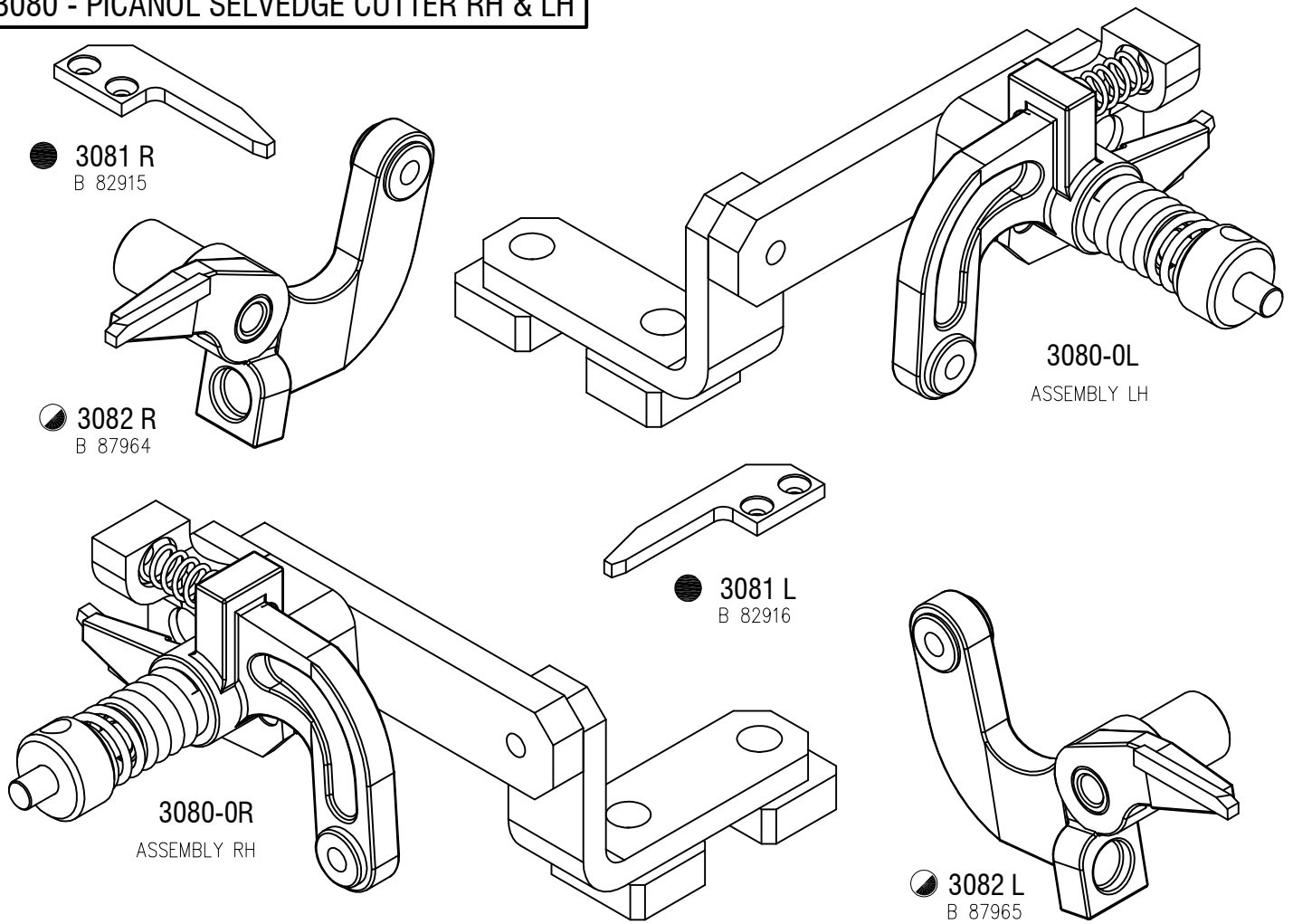
PICANOL 2390 - WEFT CUTTER



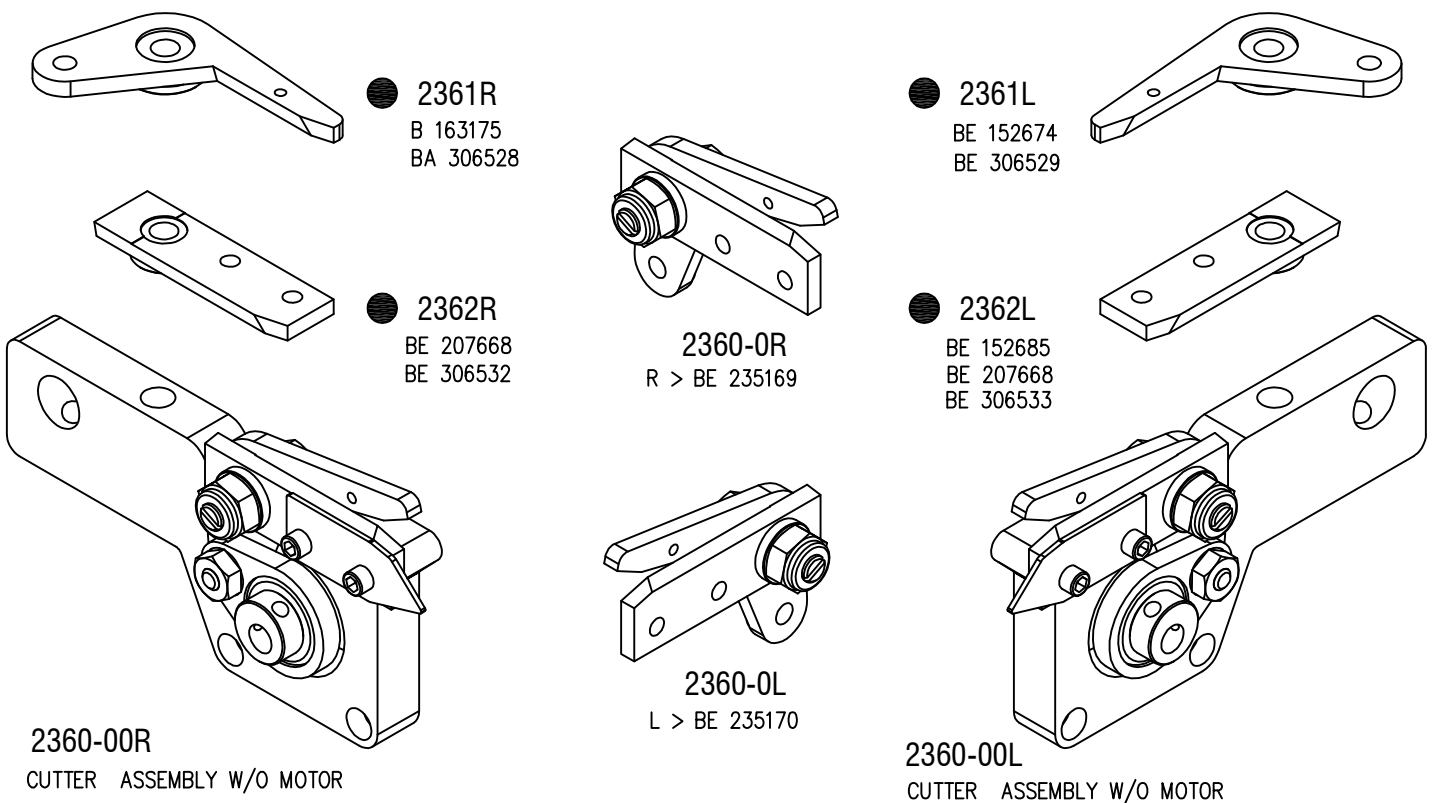
MATERIAL CODE : ● SOLID CARBIDE , ◐ BRAZED CARBIDE , ★ SPECIAL APPLICATION , ⊕ WITH HARDWARE

FOR PICANOL AIR JET & RAPIER

3080 - PICANOL SELVEDGE CUTTER RH & LH



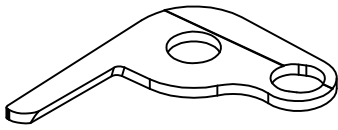
2360 - PICANOL (MOTORIZED SELVEDGE RH & LH)



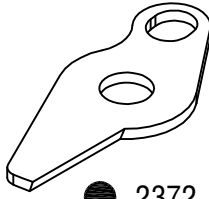
MATERIAL CODE : ● SOLID CARBIDE , ◐ BRAZED CARBIDE , ★ SPECIAL APPLICATION , ● WITH HARDWARE

FOR PICANOL AIR JET & RAPIER

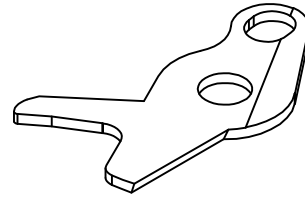
PICANOL 2370 - TUCKIN SELVEDGE



● 2371
B 158983

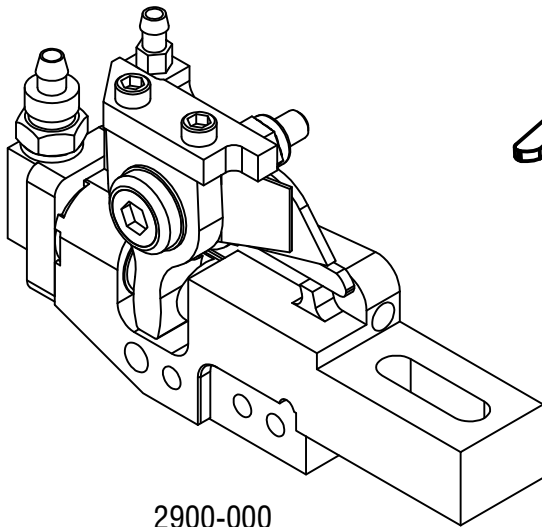


● 2372
B 158982

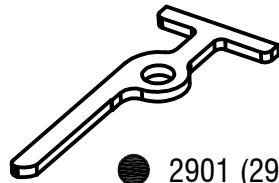


● 2373
B 96950

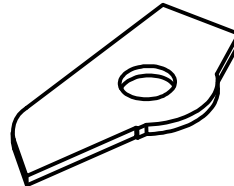
PICANOL 2900 - TUCKIN SELVEDGE (OLD DESIGN)



2900-000

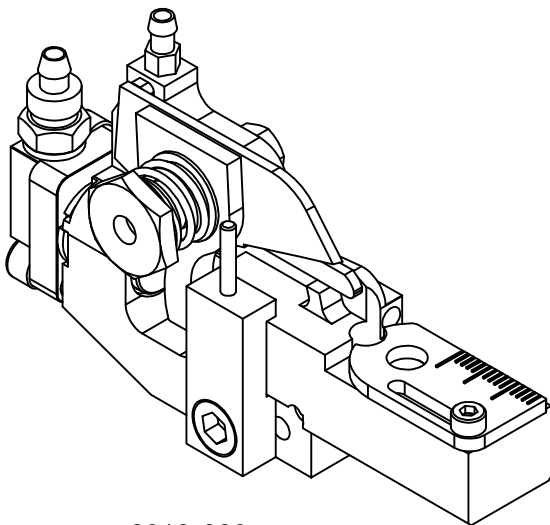


● 2901 (2911)
BA 312939

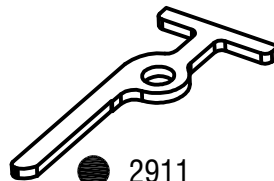


● 2902
BA 312945

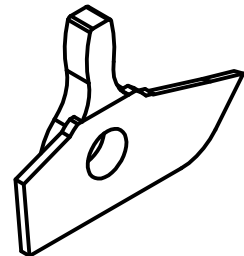
PICANOL 2910 - TUCKIN SELVEDGE



2910-000



● 2911
BA 312939

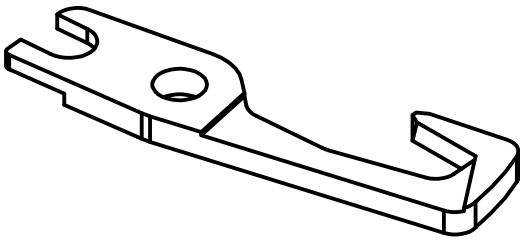


● 2912
BE 321183

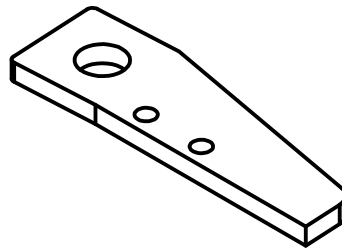
MATERIAL CODE : ● SOLID CARBIDE , ◐ BRAZED CARBIDE , ★ SPECIAL APPLICATION, ● WITH HARDWARE

FOR PICANOL RAPIER

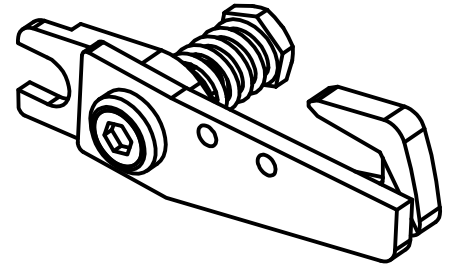
PICANOL 3040 - WEFT CUTTER



● 3041
BA 200880.02

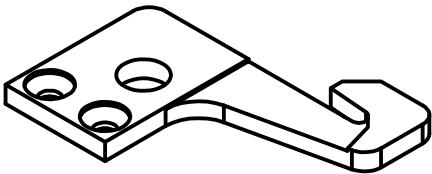


● 3042
BA 200879.02

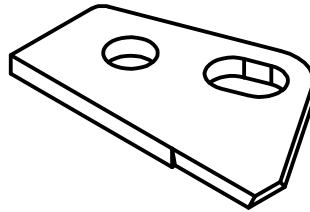


3040-00
ASSEMBLY

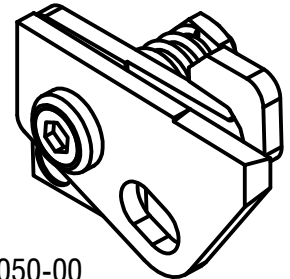
PICANOL 3050 - WEFT CUTTER



● 3051
B 84143

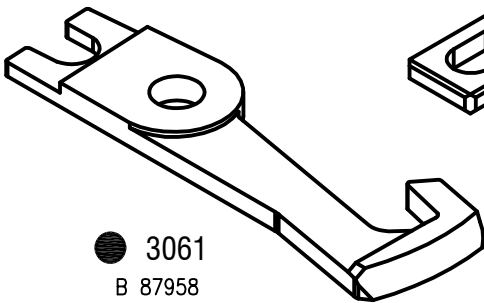


● 3052
B 84154

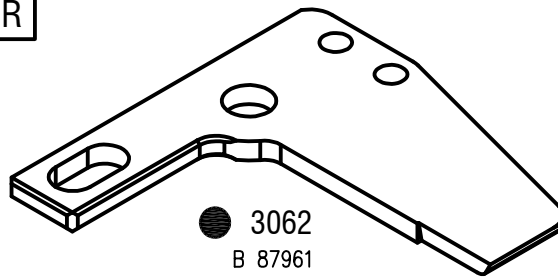


3050-00
ASSEMBLY

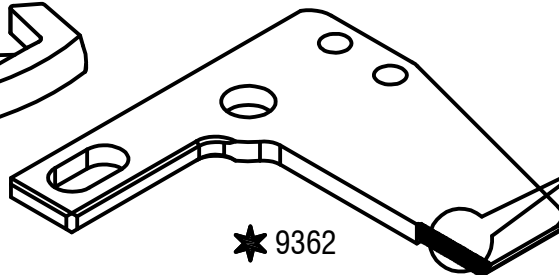
PICANOL 3060 - WEFT CUTTER



● 3061
B 87958



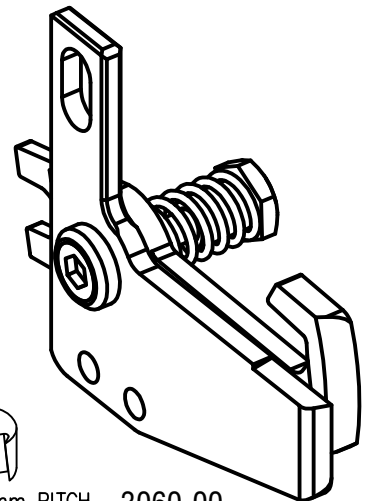
● 3062
B 87961



★ 9362

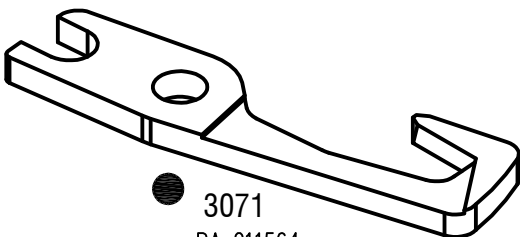


0.5 mm PITCH

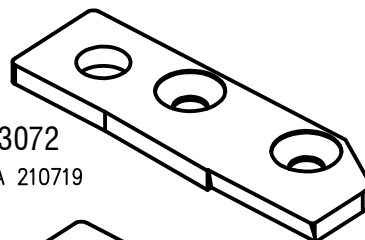


3060-00
ASSEMBLY

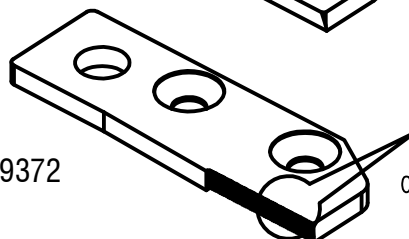
PICANOL 3070 - WEFT CUTTER



● 3071
BA 211564



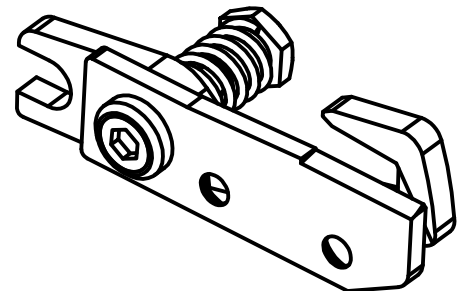
● 3072
BA 210719



★ 9372



0.5 mm PITCH

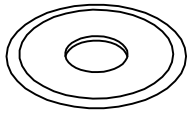


3070-00
ASSEMBLY

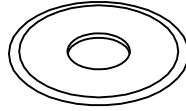
MATERIAL CODE : ● SOLID CARBIDE , ● BRAZED CARBIDE , ★ SPECIAL APPLICATION , ● WITH HARDWARE

FOR PICANOL RAPIER

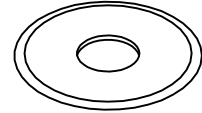
PICANOL 6010 - ROTARY WEFT CUTTER



● 6011
BA 232671
24° SHARP D23

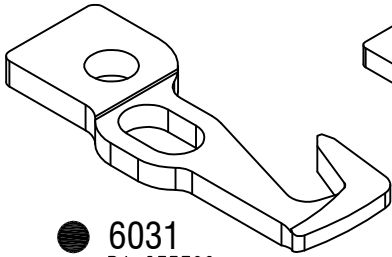


● 6012
30° SHARP D23

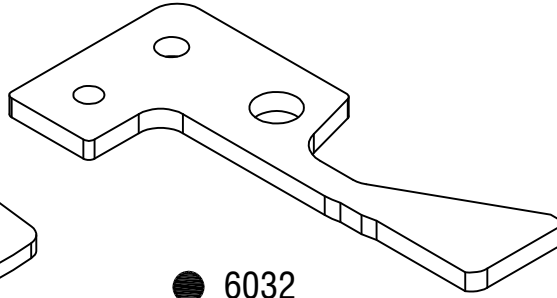


● 6013
30° SHARP D24

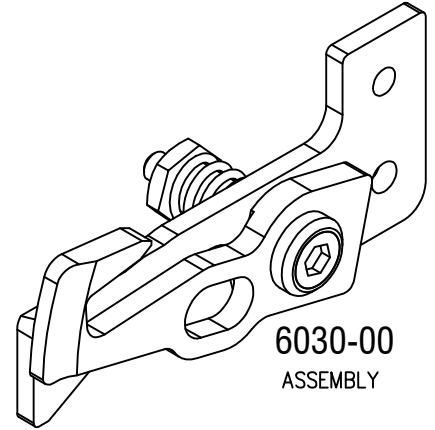
PICANOL 6030 - WEFT CUTTER



● 6031
BA 235366

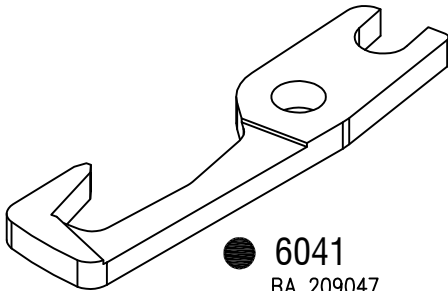


● 6032
BA 236204

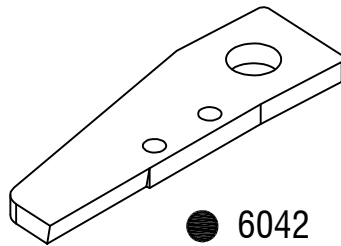


6030-00
ASSEMBLY

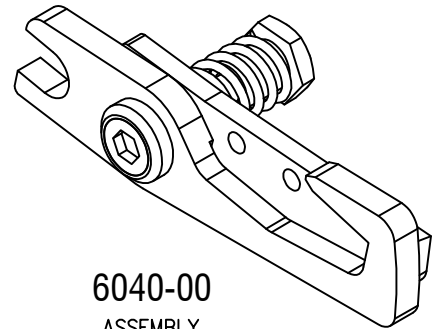
PICANOL 6040 - WEFT CUTTER



● 6041
BA 209047

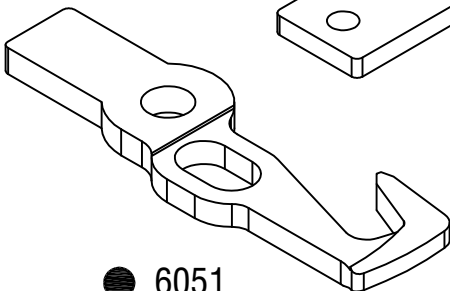


● 6042
BA 207817

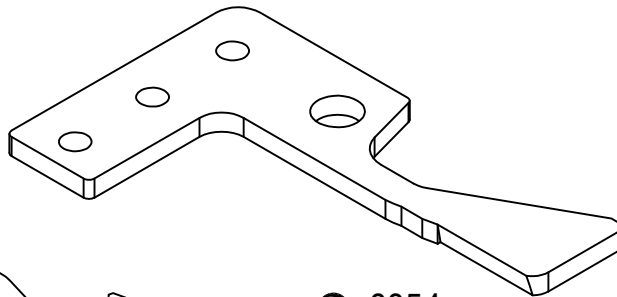


6040-00
ASSEMBLY

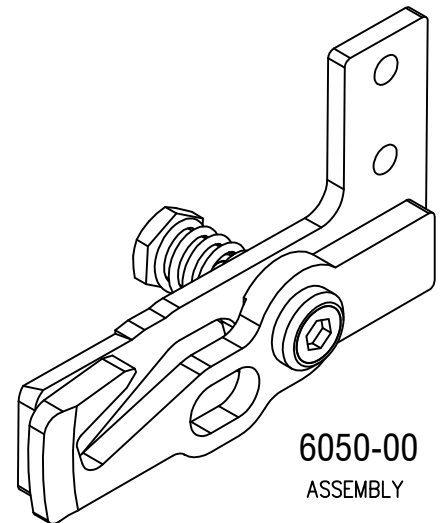
PICANOL 6050 - WEFT CUTTER



● 6051
BA 239469



● 6054
BA 299648



6050-00
ASSEMBLY

MATERIAL CODE : ● SOLID CARBIDE , ◐ BRAZED CARBIDE , ★ SPECIAL APPLICATION, ● WITH HARDWARE