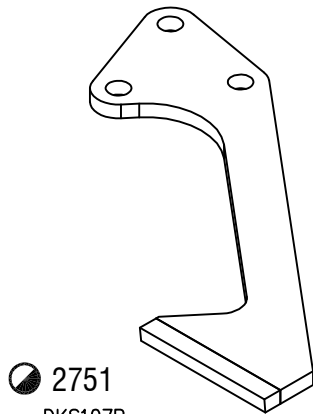
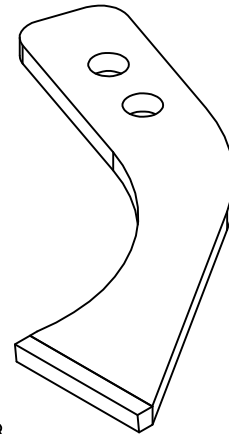


FOR ITEMA AIR JET & RAPIER

ITEMA 2750 - MOTORIZED WEFT CUTTER

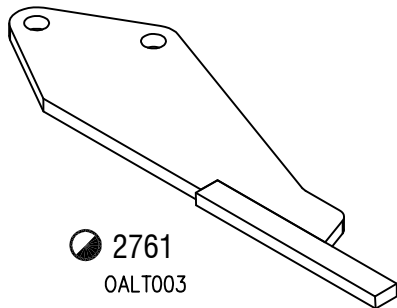


● 2751
DKS107B
DKS113B

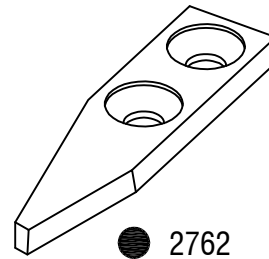


● 2752
DKS106B
DKS112B

ITEMA 2760 - SELVEDGE CUTTER

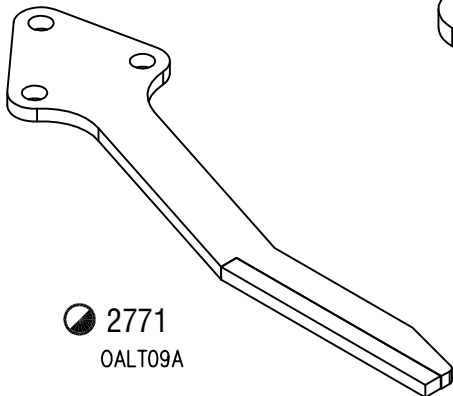


● 2761
OALT003

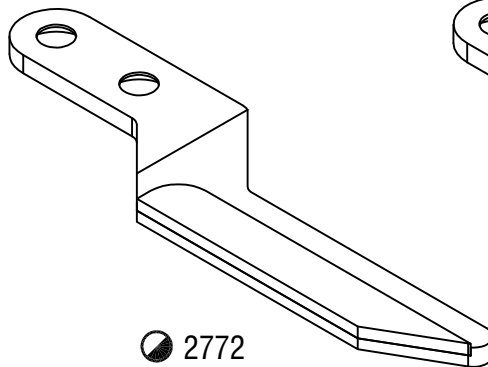


● 2762
OELT014

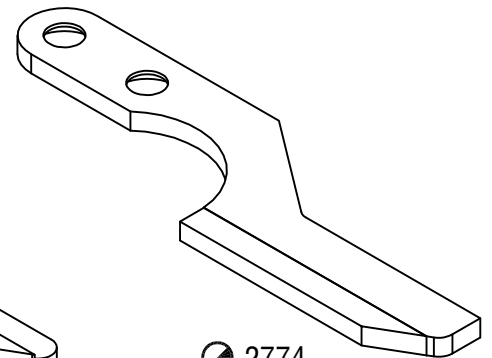
ITEMA 2760 - SELVEDGE CUTTER



● 2771
OALT09A

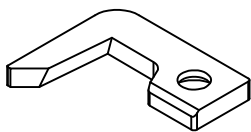


● 2772
OELT000

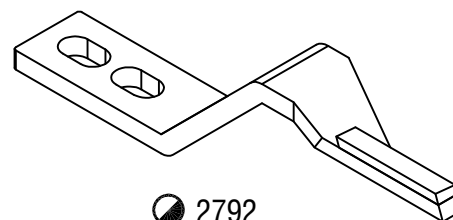


● 2774

ITEMA 2790 - MOTORIZED WEFT CUTTER



● 2791



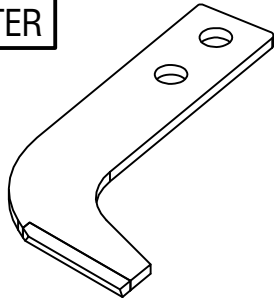
● 2792

MATERIAL CODE : ● SOLID CARBIDE , ◐ BRAZED CARBIDE , ★ SPECIAL APPLICATION, ⊕ WITH HARDWARE

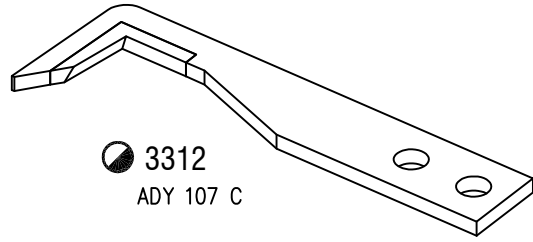
FOR ITEMA SOMET & RAPIER

SOMET 3310 - WEFT CUTTER

● 3311
ADY 106 C

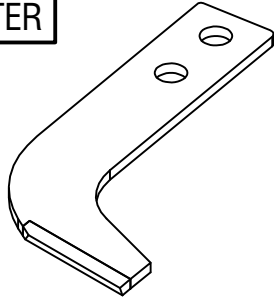


● 3312
ADY 107 C

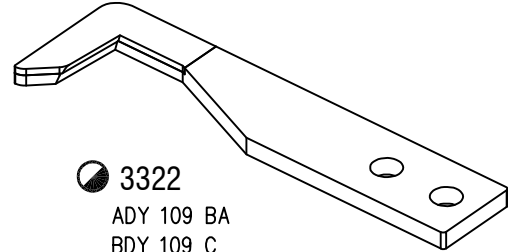


SOMET 3320 - WEFT CUTTER

● 3321
ADY 106 BA

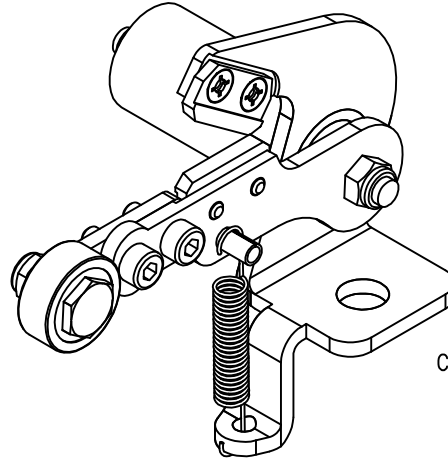
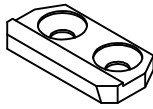


● 3322
ADY 109 BA
BDY 109 C



SOMET 3300 - SELVEDGE CUTTER

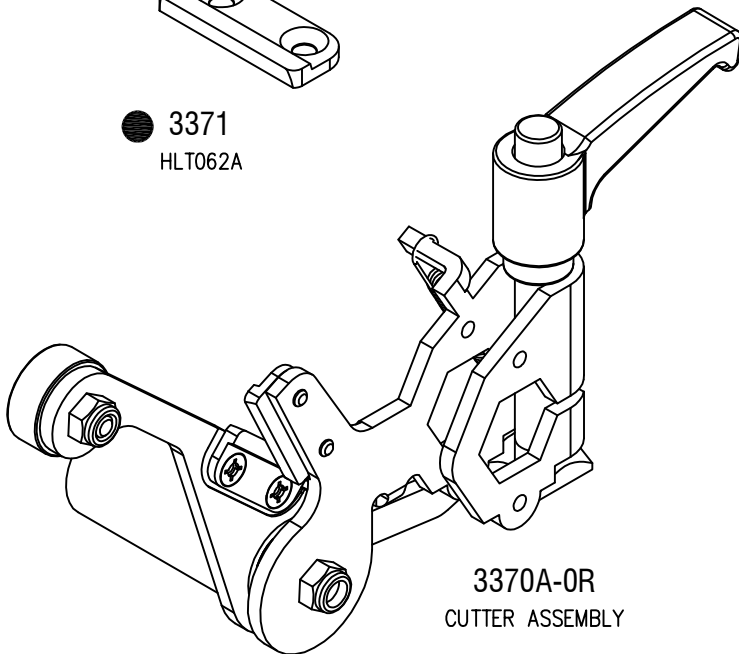
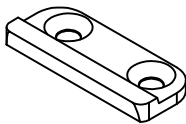
● 3301
EWM 023 AY



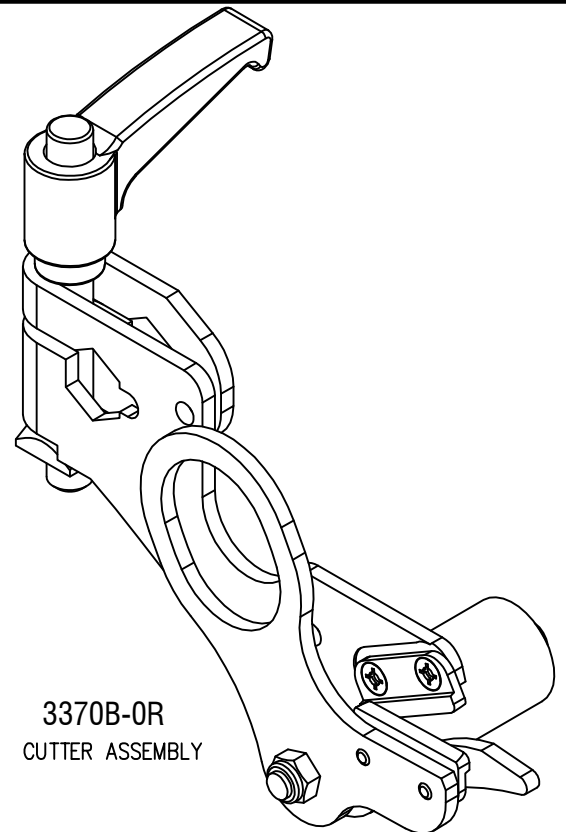
3300C-00
CENTER CUTTER ASSEMBLY

SOMET / ITEMA 3370 - MOTORIZED SELVEDGE CUTTER

● 3371
HLT062A



3370A-0R
CUTTER ASSEMBLY

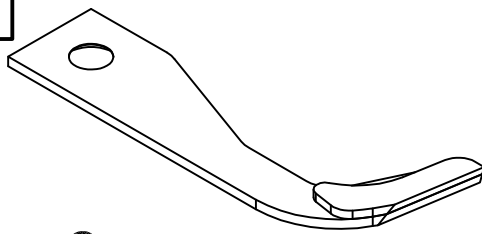


3370B-0R
CUTTER ASSEMBLY

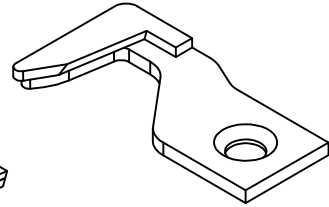
MATERIAL CODE : ● SOLID CARBIDE , ◐ BRAZED CARBIDE , ★ SPECIAL APPLICATION , ◐ WITH HARDWARE

FOR ITEMA & VAMATEX RAPIER

VAMATEX 6200 - WEFT CUTTER

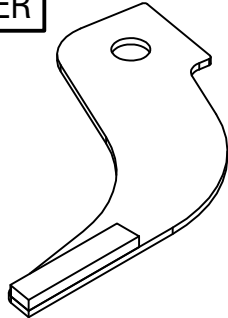


● 6201
2583146

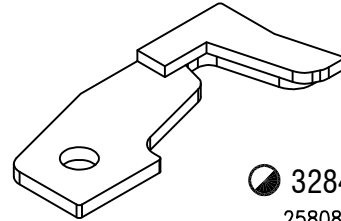


● 6202
2583148

VAMATEX 3280 - WEFT CUTTER



● 3283
2580886

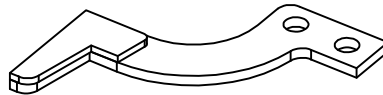


● 3284
2580888

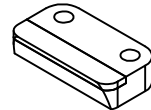
VAMATEX / ITEMA 3290 - TUCK IN SELVEDGE CUTTER RH & LH



● 3291R

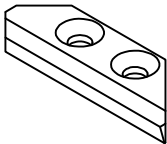


● 3291L

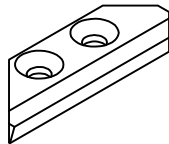


● 3292

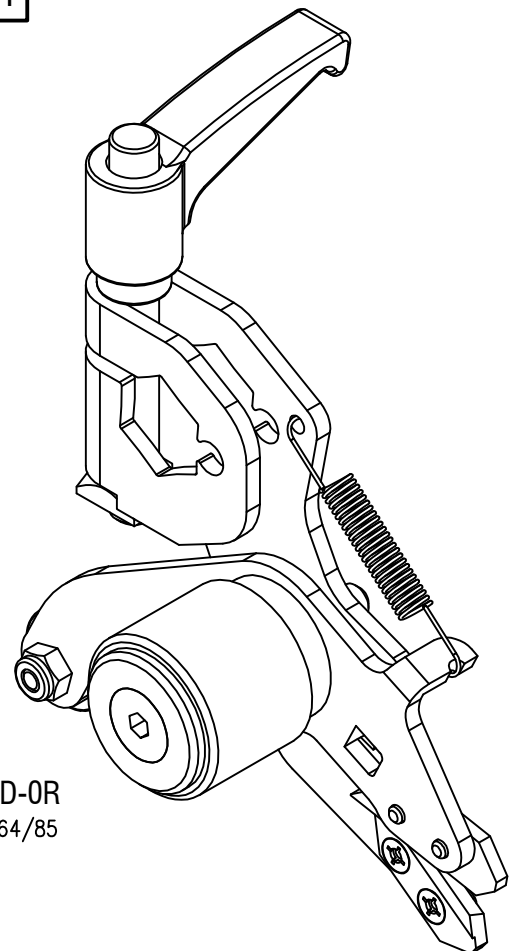
VAMATEX / ITEMA 3290 - TUCK IN SELVEDGE CUTTER RH & LH



● 3251R
2522020



● 3251L
EWM 023 AY

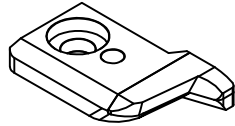


3250D-OR
9300064/85

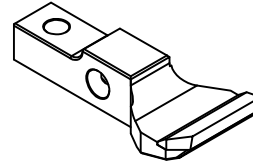
MATERIAL CODE : ● SOLID CARBIDE , ◐ BRAZED CARBIDE , ★ SPECIAL APPLICATION, ● WITH HARDWARE

FOR ITEMA & NUOVO PIGNONE RAPIER

NUOVO PIGNONE 3100 - WEFT CUTTER

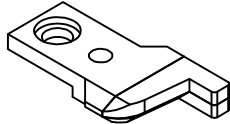


● 3101
PAP 39312

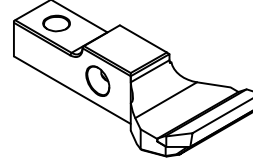


● 3102
PAP 39314

NUOVO PIGNONE 3160 - WEFT CUTTER

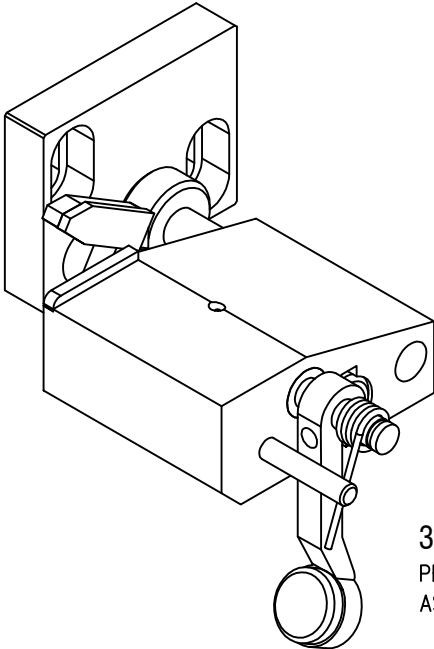


● 3163

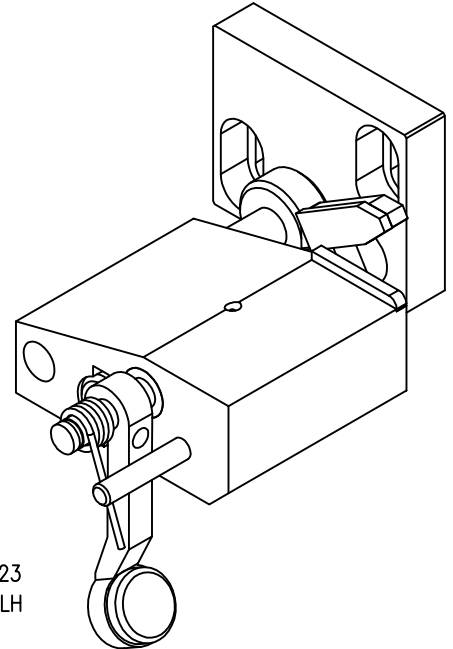


● 3164

NUOVO PIGNONE 3120 - SELVEDGE CUTTER RH & LH

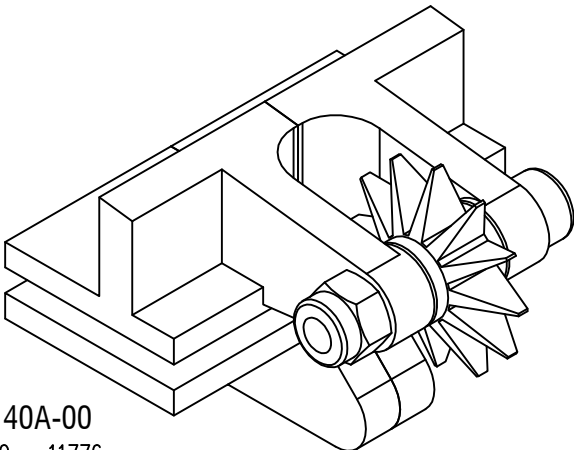


3120-OR
PBO - 17122
ASSEMBLY RH

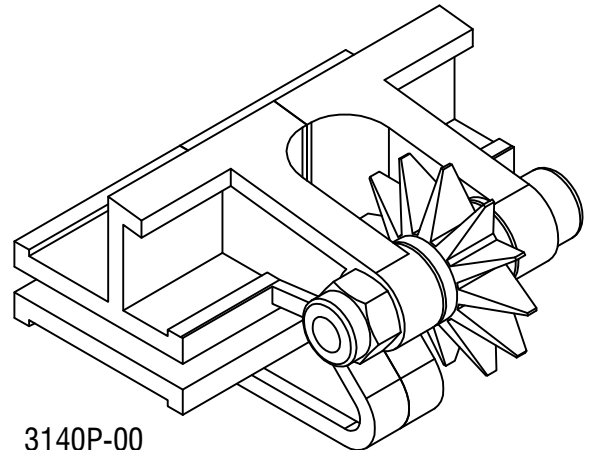


3120-OL
PBO - 17123
ASSEMBLY LH

NUOVO PIGNONE 3140 - CENTER CUTTER



3140A-00
PA0 - 11776
ASSEMBLY (ALUMINIUM)

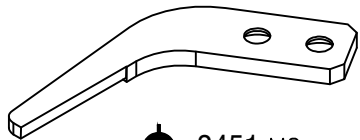


3140P-00
PA0 - 11776
ASSEMBLY (PLASTIC)

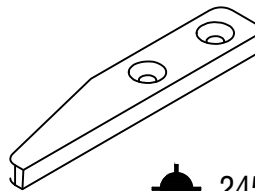
MATERIAL CODE : ● SOLID CARBIDE , ◐ BRAZED CARBIDE , ★ SPECIAL APPLICATION , ◐ WITH HARDWARE

FOR SULZER AIR JET

SULZER 2450 - WEFT SHORT CUTTER

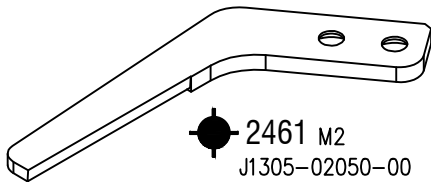


● 2451 M2
JC352 - 07199 - D

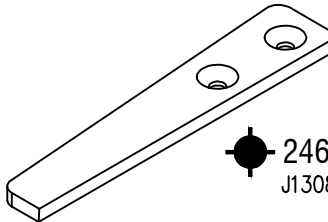


● 2452 M2
JC352 - 06199 - A

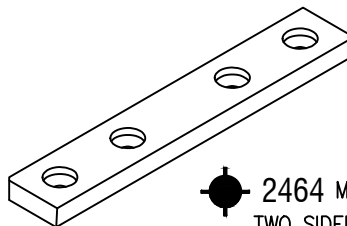
SULZER 2460 - WEFT LONG CUTTER



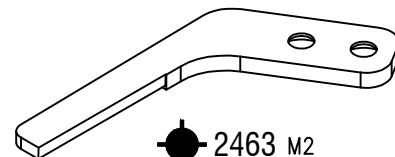
● 2461 M2
J1305-02050-00



● 2462 M2
J1308-02040-00

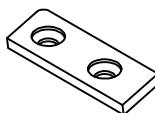


● 2464 M2
TWO SIDED



● 2463 M2
J1305-02050-00

SULZER 2490 - TUCK IN SELVEDGE CUTTER

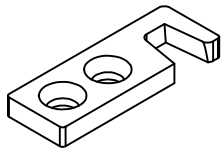


● 2491 M2

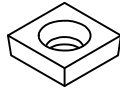
MATERIAL CODE : ● SOLID CARBIDE , ◐ BRAZED CARBIDE , ★ SPECIAL APPLICATION, ● WITH HARDWARE

FOR SULZER AIR JET

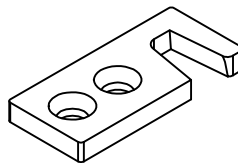
SULZER 3490 - WEFT CUTTER



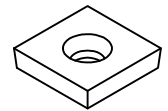
● 3491
025-806-001



● 3492
025-452-201

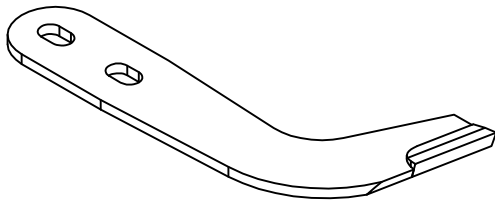


● 3493

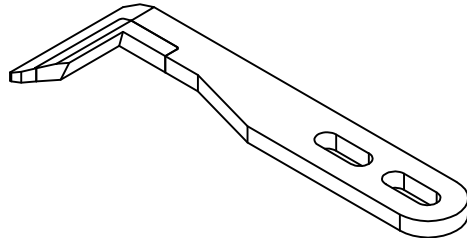


● 3494

SULZER 3830 - WEFT CUTTER

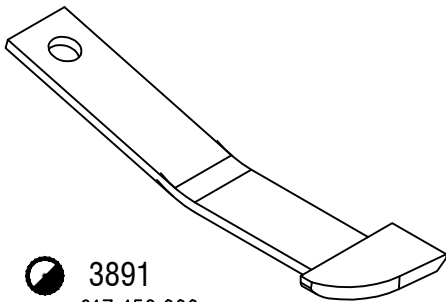


● 3833
PNO 51772

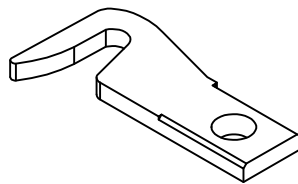


● 3834
PNO 51772

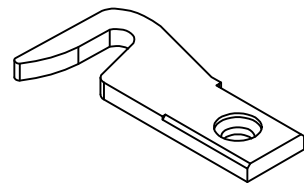
SULZER 3890 - WEFT CUTTER



● 3891
617.452.000
627331000
627.208.000

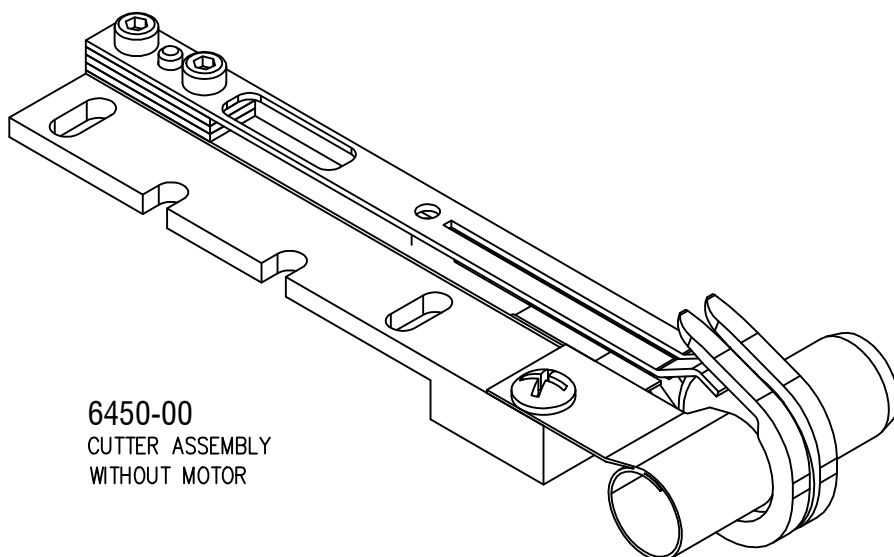


● 3892
624.623.000
62720800
627720800
629.113.000

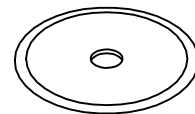


● 3896

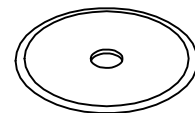
SULZER 6450 - ROTARY WEFT CUTTER



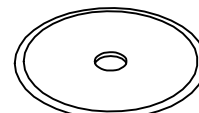
6450-00
CUTTER ASSEMBLY
WITHOUT MOTOR



● 6451
PQQ 51802
24' SHARP D23



● 6452
30' SHARP D23

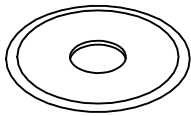


● 6453
30' SHARP D24

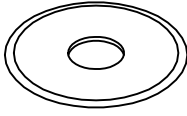
MATERIAL CODE : ● SOLID CARBIDE , ● BRAZED CARBIDE , ★ SPECIAL APPLICATION, ● WITH HARDWARE

FOR SULZER / SMIT / SULTEX RAPIER

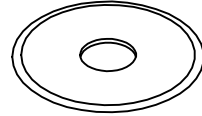
SULZER 6480 - ROTARY WEFT CUTTER



● 6481
24° SHARP D23



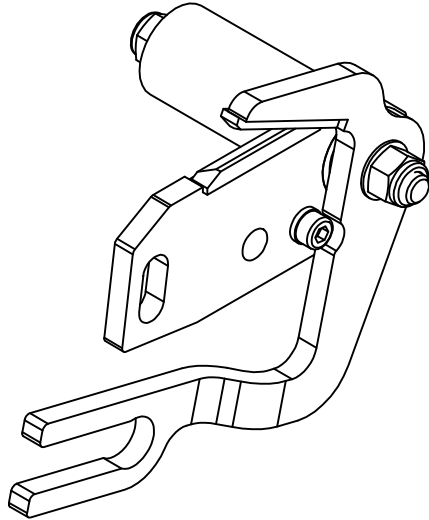
● 6482
30° SHARP D23



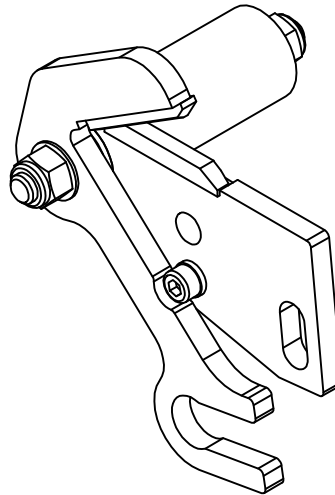
● 6483
30° SHARP D24

SULZER 3810 & 3820 - SELVEDGE CUTTER

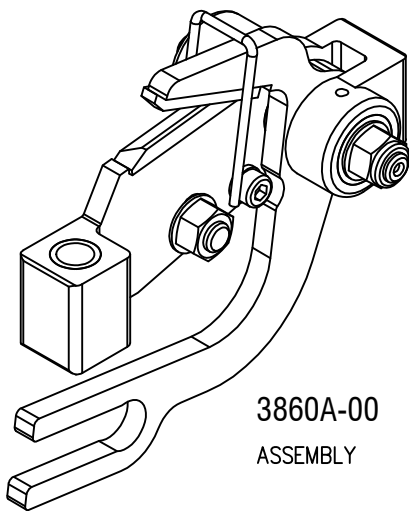
● 3810-00
ASSEMBLY RH



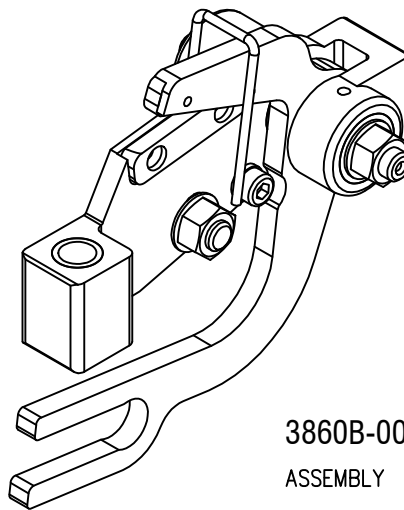
● 3820-00
ASSEMBLY LH



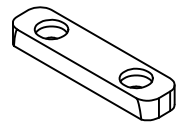
SULZER 3860 - SELVEDGE CUTTER



3860A-00
ASSEMBLY

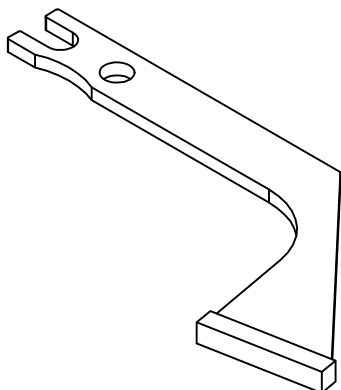


3860B-00
ASSEMBLY

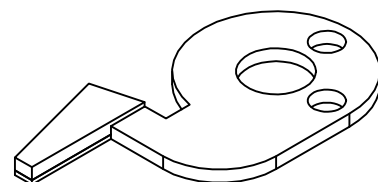


● 3863B

SMIT 6460 - MOTORIZED SELVEDGE CUTTER



● 6461



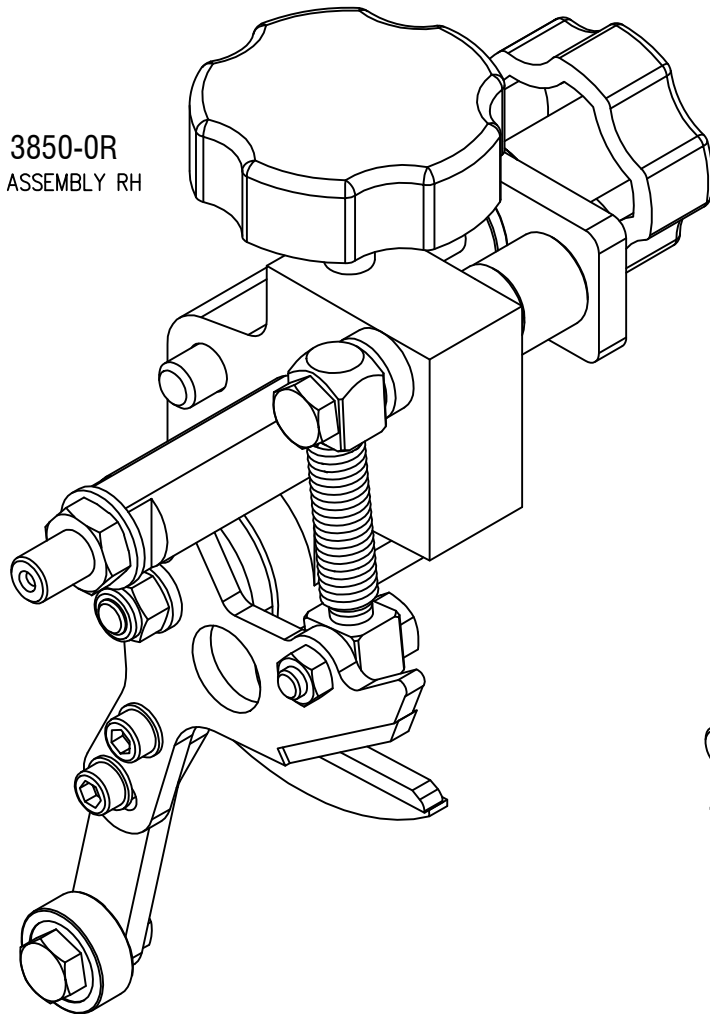
● 6462

MATERIAL CODE : ● SOLID CARBIDE , ◐ BRAZED CARBIDE , ★ SPECIAL APPLICATION, ● WITH HARDWARE

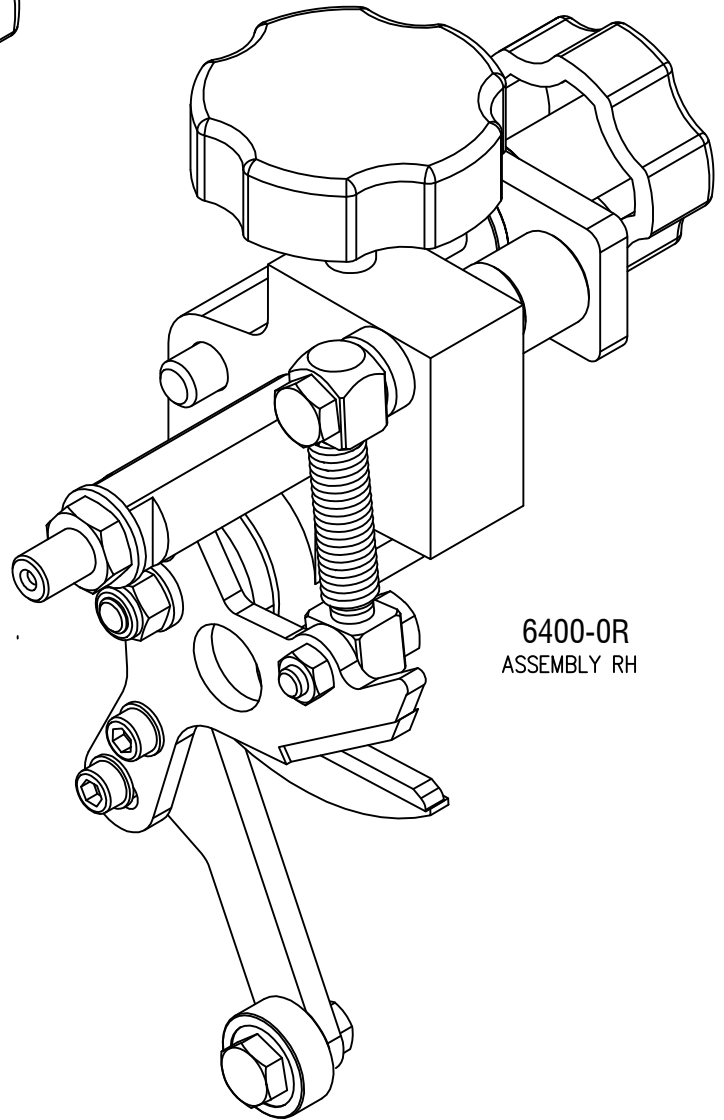
FOR SULZER / SMIT / SULTEX RAPIER

SULZER 3850 - SELVEDGE CUTTER RH & LH

SULZER 6400 - SELVEDGE CUTTER RH & LH

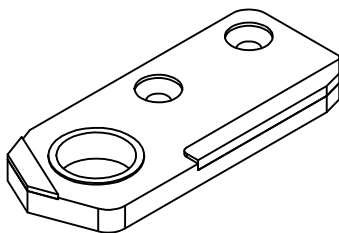


3850-OR
ASSEMBLY RH

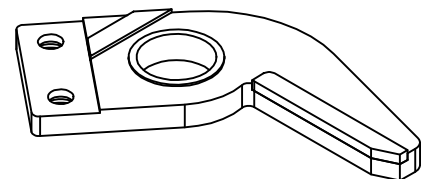


6400-OR
ASSEMBLY RH

SMIT 6410 - SELVEDGE CUTTER



● 6411

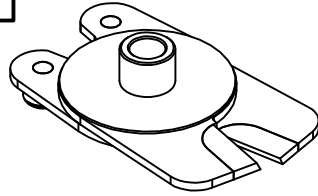


● 6412

MATERIAL CODE : ● SOLID CARBIDE , ● BRAZED CARBIDE , ★ SPECIAL APPLICATION, ● WITH HARDWARE

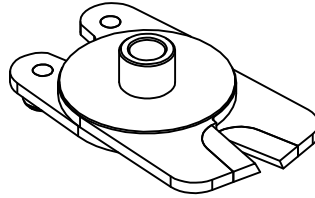
FOR SULZER PROJECTILE

SULZER 4000 -TUCK IN SELVEDGE SCISSOR THIN



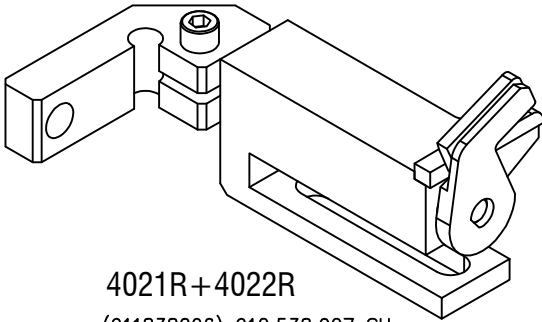
4000-00
THIN 911.820.00A
SCISSOR ASSEMBLY

SULZER 4080 -TUCK IN SELVEDGE SCISSOR THICK



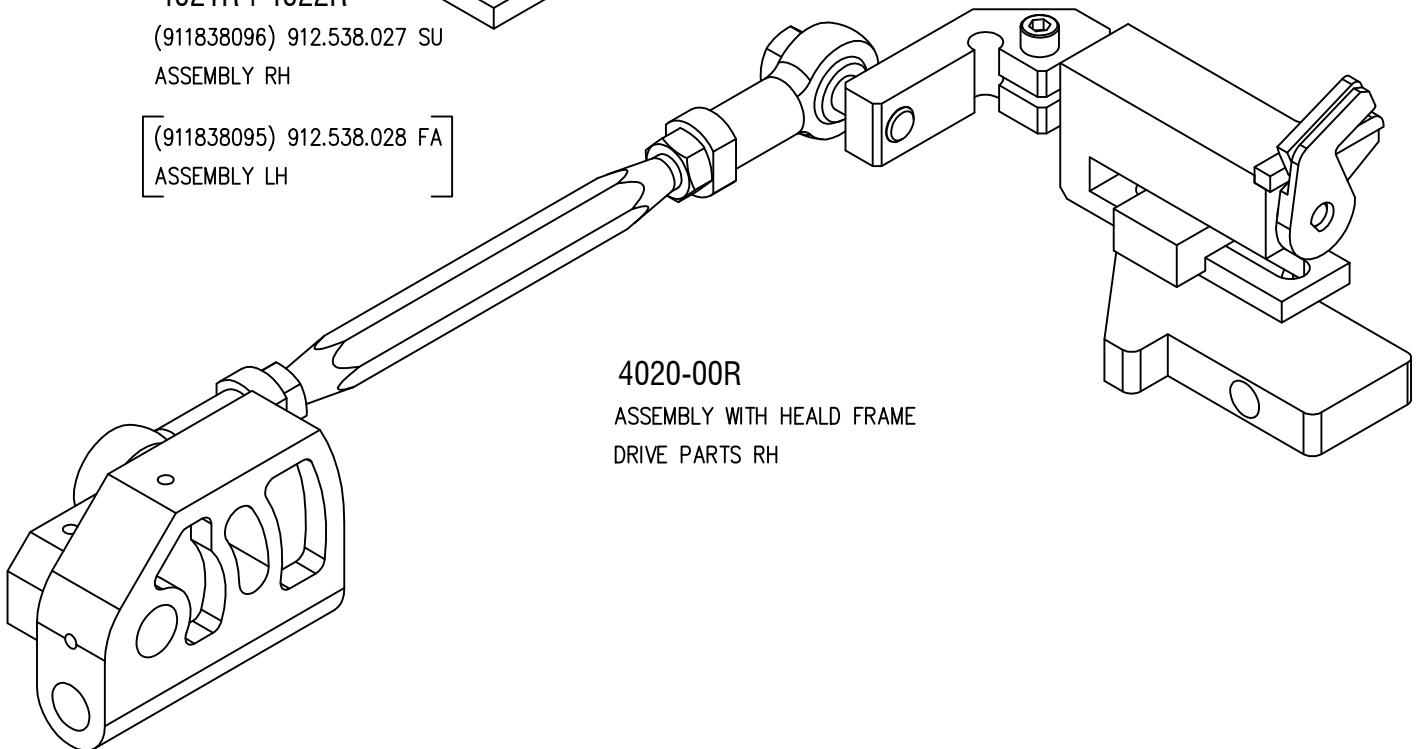
4080-00
THICK 911.820.016
912.520.078
SCISSOR ASSEMBLY

SULZER 4020 - LENO SELVEDGE CUTTER RH & LH



4021R+4022R
(911838096) 912.538.027 SU
ASSEMBLY RH

(911838095) 912.538.028 FA
ASSEMBLY LH



4020-00R
ASSEMBLY WITH HEALD FRAME
DRIVE PARTS RH

MATERIAL CODE : ● SOLID CARBIDE , ◐ BRAZED CARBIDE , ★ SPECIAL APPLICATION, ◐ WITH HARDWARE