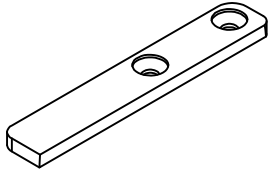
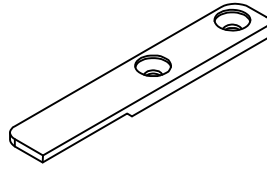


# FOR NISSAN & TOYOTA WATER JET

## NISSAN 1000 - WEFT CUTTER

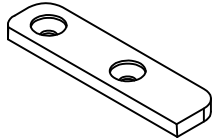


● 1001  
DD-C0201-0

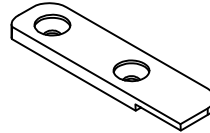


● 1002  
DD-C0302-0

## NISSAN 1010 - WEFT CUTTER RH

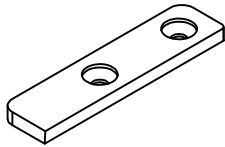


● 1011  
L5-18032-0

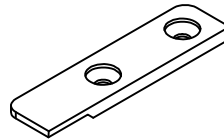


● 1012  
DD-B0711-0

## NISSAN 1020 - WEFT CUTTER LH



● 1021  
L5-18042-0

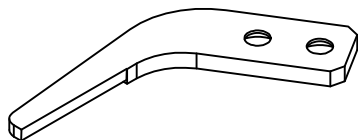


● 1022  
DD-B0721-0

MATERIAL CODE : ● SOLID CARBIDE , ◐ BRAZED CARBIDE , ★ SPECIAL APPLICATION, ⊕ WITH HARDWARE

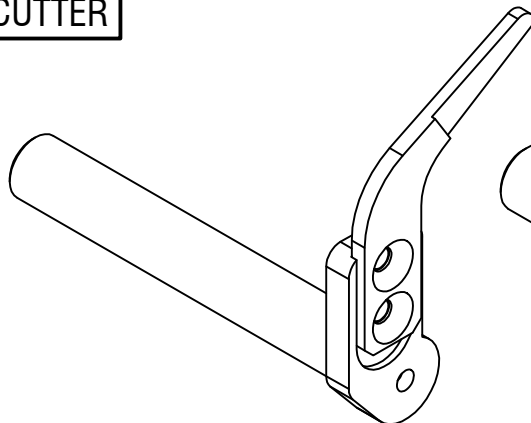
# FOR TOYOTA AIR JET

## TOYOTA 2550 - WEFT SHORT CUTTER

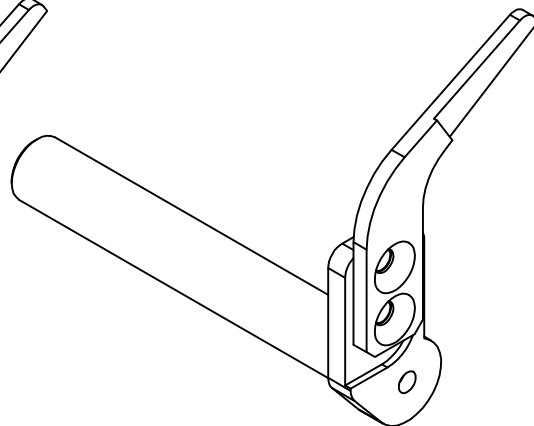


● 2551 M3

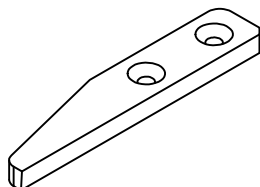
JC352-07199-D  
J1301-01010-0A  
J1305-02040-0A



2551+2555B

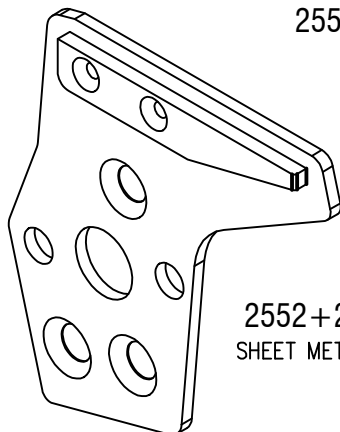


2551+2555C

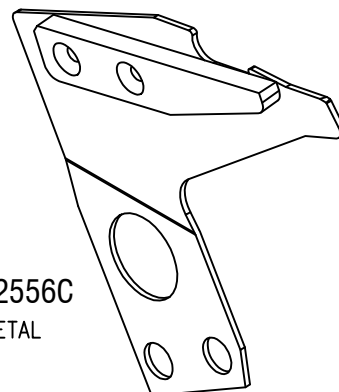


● 2552 M2

JC352-06199-A  
J1308-2030-0A  
J1301-01010-0B

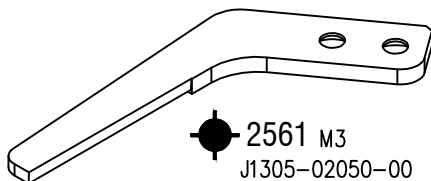


2552+2556A  
SHEET METAL



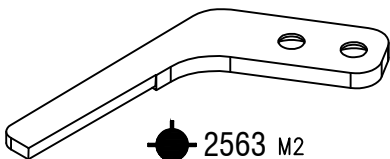
2552+2556C  
SHEET METAL

## TOYOTA 2560 - WEFT LONG CUTTER



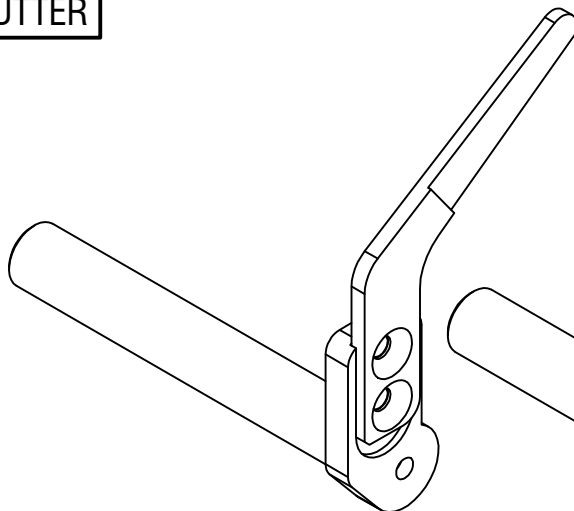
● 2561 M3

J1305-02050-00  
J1305-02010-00

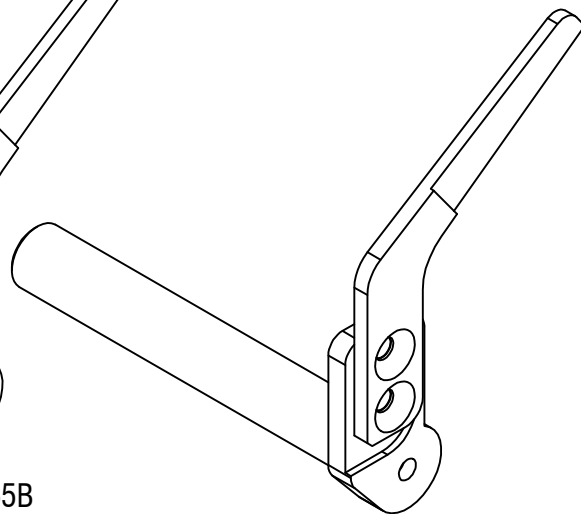


● 2563 M2

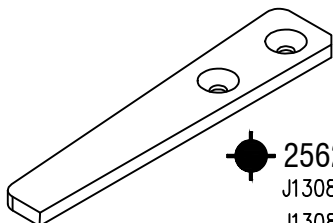
J1305-02050-00



2561+2565B

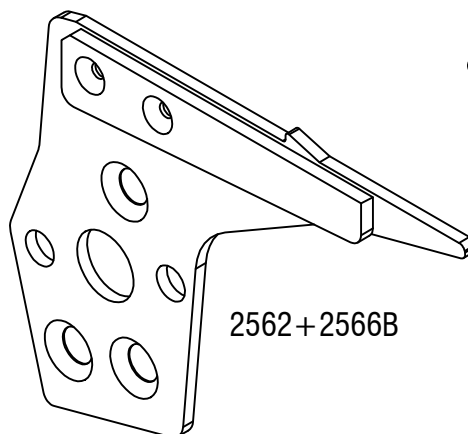


2561+2565C

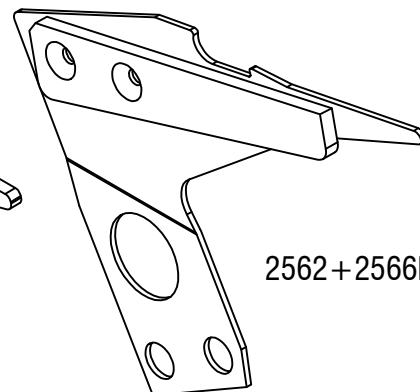


● 2562 M2

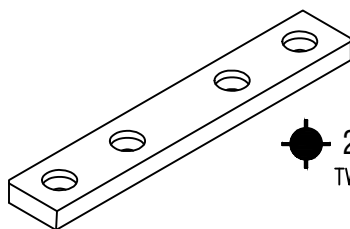
J1308-02040-00  
J1308-02010-00



2562+2566B



2562+2566D

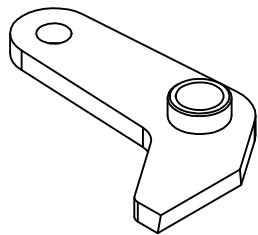


● 2564 M2  
TWO SIDED

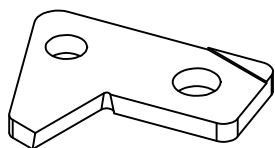
MATERIAL CODE : ● SOLID CARBIDE , ◐ BRAZED CARBIDE , ★ SPECIAL APPLICATION, ● WITH HARDWARE

# FOR TOYOTA AIR JET

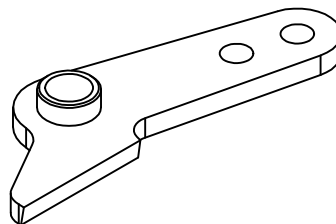
## TOYOTA 2540 - SELVEDGE RH CUTTER



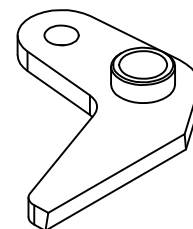
● 2541  
J1301-2010-04



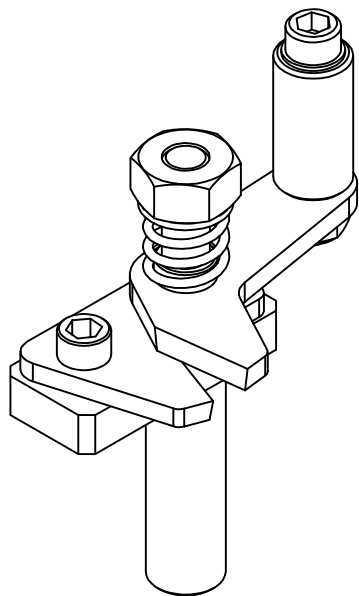
● 2542  
J1302-01010-0A



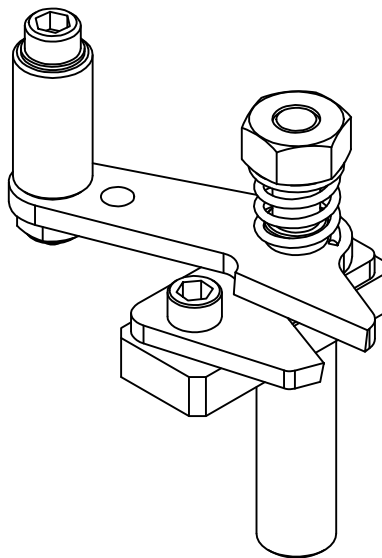
● 2545  
J1301-02030-00



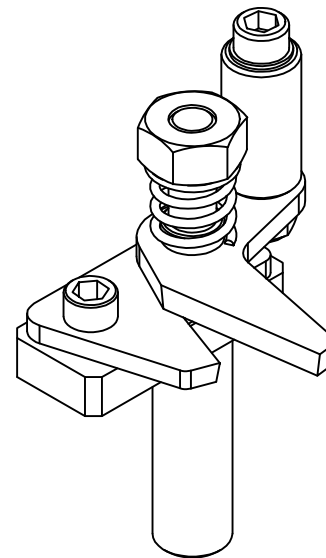
● 2547



2540A-00  
ASSEMBLY

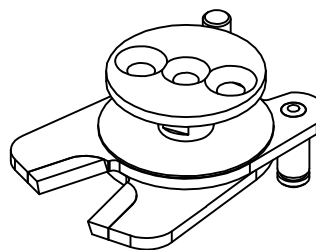


2540B-00  
ASSEMBLY



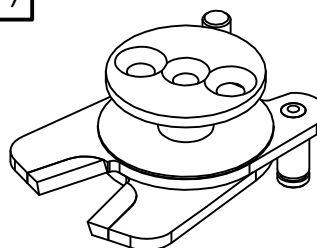
2540C-00  
ASSEMBLY

## TOYOTA 2580 - TUCK IN SELVEDGE CUTTER (NEW)



2580-00  
ASSEMBLY

## TOYOTA 2590 - TUCK IN SELVEDGE CUTTER (OLD)

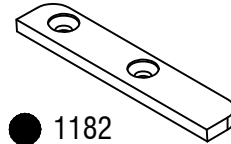
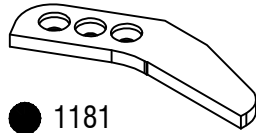


2590-00  
ASSEMBLY

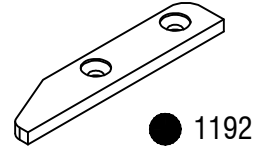
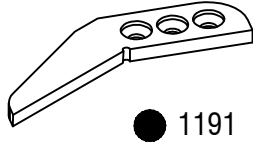
MATERIAL CODE : ● SOLID CARBIDE , ◐ BRAZED CARBIDE , ★ SPECIAL APPLICATION, ● WITH HARDWARE

# FOR TSUDAKOMA WATER JET & AIR JET

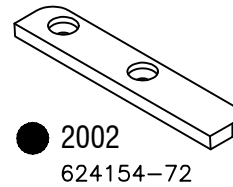
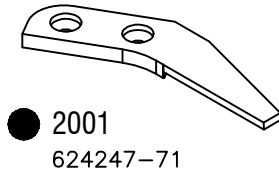
## TSUDAKOMA 1180 - WEFT CUTTER



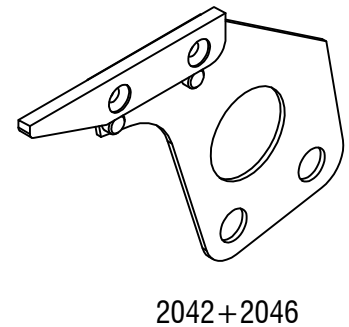
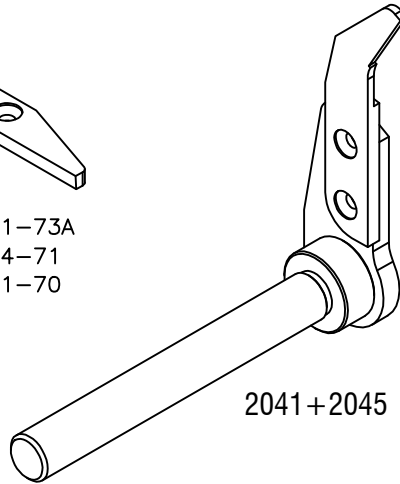
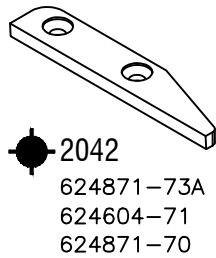
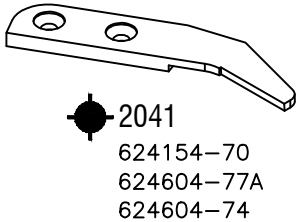
## TSUDAKOMA 1190 - WEFT CUTTER



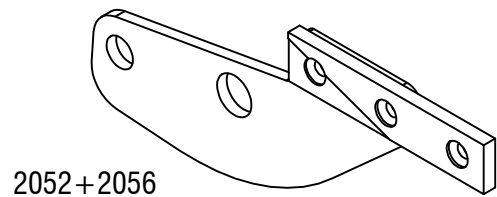
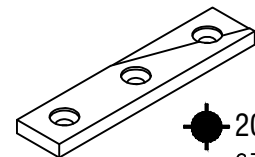
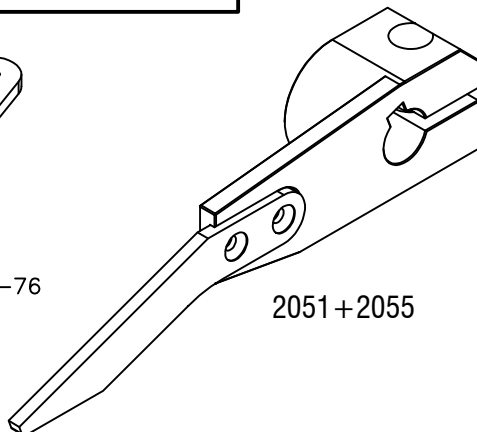
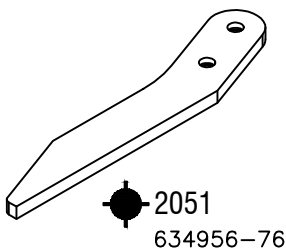
## TSUDAKOMA 2000 - WEFT CUTTER



## TSUDAKOMA 2040 - WEFT CUTTER



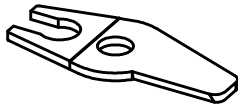
## TSUDAKOMA 2050 - WEFT CUTTER



MATERIAL CODE : ● SOLID CARBIDE , ◐ BRAZED CARBIDE , ★ SPECIAL APPLICATION, ● WITH HARDWARE

# FOR TSUDAKOMA AIR JET

## TSUDAKOMA 2030 - TUCKIN SELVEDGE CUTTER



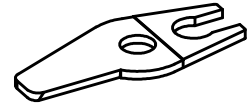
● 2032R  
1262239



● 2031R  
1262240

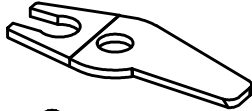


● 2031L  
1262242



● 2032L  
1262241

## TSUDAKOMA 2060 - TUCKIN SELVEDGE CUTTER



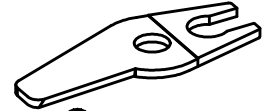
● 2062L



● 2061L

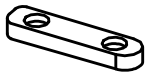


● 2061R  
62B20B

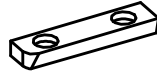


● 2062R  
620B193

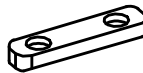
## TSUDAKOMA 2010 - SELVEDGE CUTTER



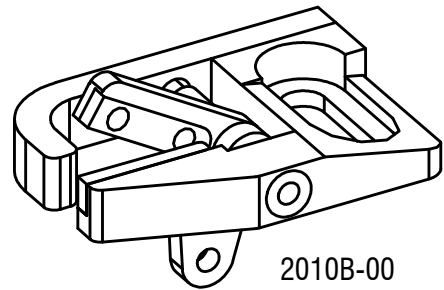
● 2011



● 2012

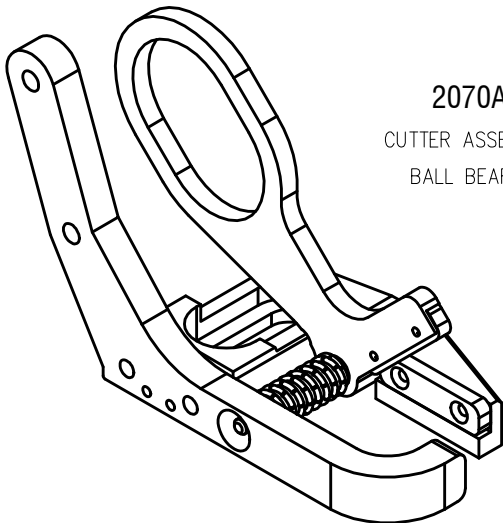


● 2013



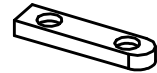
2010B-00  
624311-71  
CUTTER ASSEMBLY  
BALL BEARING TYPE

## TSUDAKOMA 2070 - SELVEDGE CUTTER )



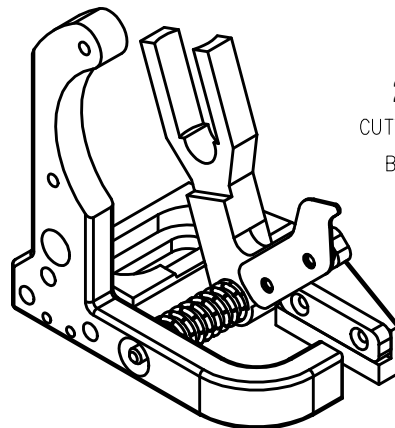
2070A-00  
CUTTER ASSEMBLY  
BALL BEARING

● 2071  
(2011)



● 2072  
(2012)

624311-69



2070B-00  
CUTTER ASSEMBLY  
BALL BEARING

MATERIAL CODE : ● SOLID CARBIDE , ◐ BRAZED CARBIDE , ★ SPECIAL APPLICATION, ● WITH HARDWARE