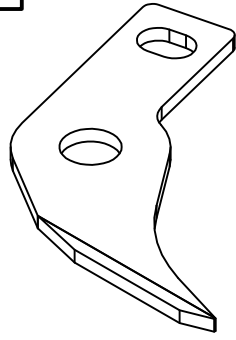
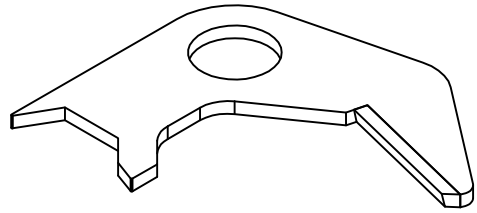


# FOR SAURER RAPIER

## SAURER 3210 - WEFT CUTTER

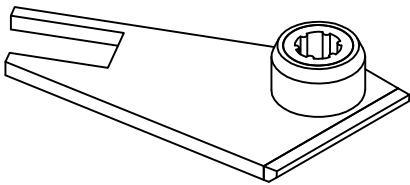


● 3211  
501454  
5299

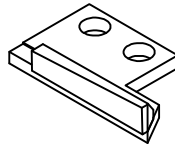


● 3212  
501452  
5311

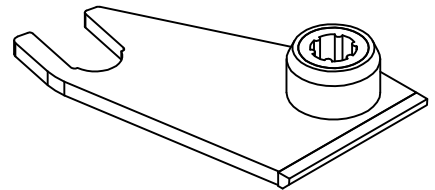
## SAURER 3220 - WEFT CUTTER



● 3221A  
NEEDLE BEARING  
845107  
5845107  
1320

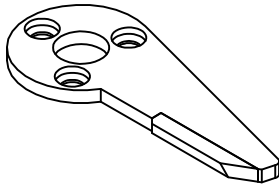


● 3222  
846734  
1315  
5842732

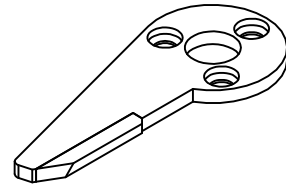


● 3223  
NEEDLE BEARING  
846732

## SAURER 3200 - SELVEDGE CUTTER RH & LH



● 3202  
500153  
1250

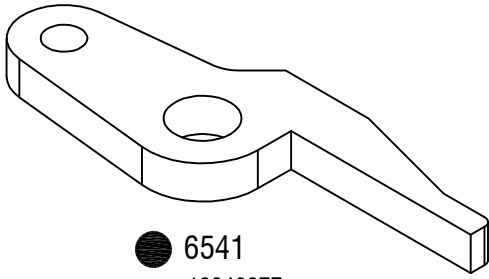


● 3201  
500154  
1253

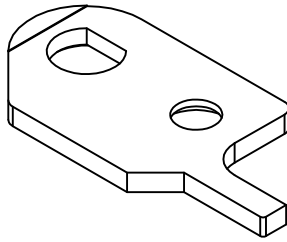
MATERIAL CODE : ● SOLID CARBIDE , ◐ BRAZED CARBIDE , ★ SPECIAL APPLICATION, ● WITH HARDWARE

# FOR VENDE WIELE RAPIER

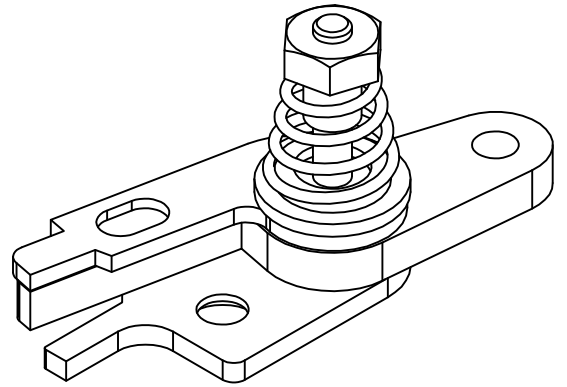
## VAN DE WIELE 6540 - WEFT CUTTER



● 6541  
12240277

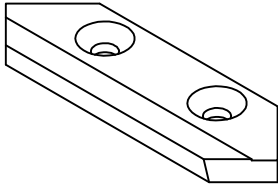


● 6542  
12240445

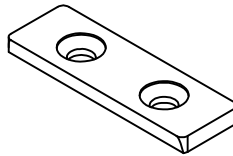


● 6540-00  
ASSEMBLY

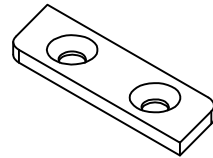
## VAN DE WIELE 6550 - SELVEDGE CUTTER



● 6551

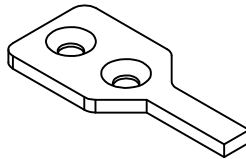


● 6552  
SERRATED EDGE



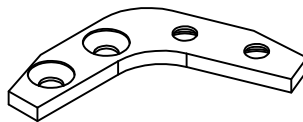
● 6553

## VAN DE WIELE 6570 - WEFT CUTTER



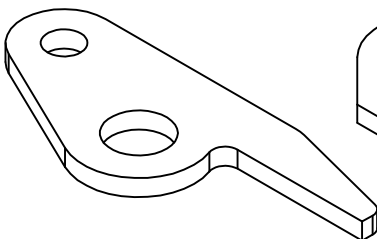
● 6571

## VAN DE WIELE 3580 - WEFT CUTTER

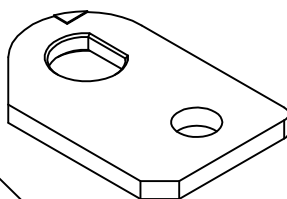


● 3581  
905539

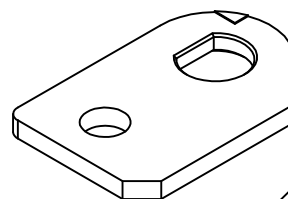
## VAN DE WIELE 6580 - SELVEDGE CUTTER



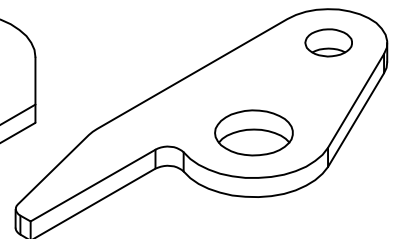
● 6581R



● 6582R



● 6582L

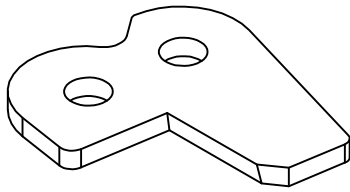


● 6581L

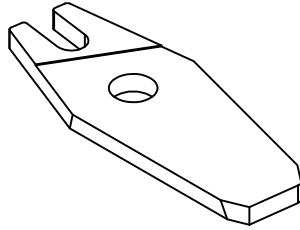
MATERIAL CODE : ● SOLID CARBIDE , ◐ BRAZED CARBIDE , ★ SPECIAL APPLICATION, ⚙ WITH HARDWARE

# FOR ISHIKAWA RAPIER

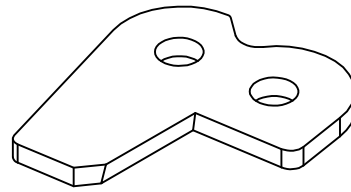
## ISHIKAWA 3620 - SELVEDGE CUTTER



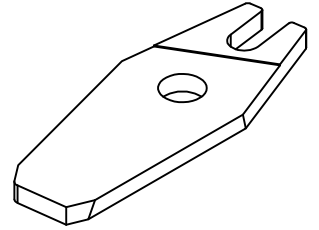
● 3621R



● 3622R

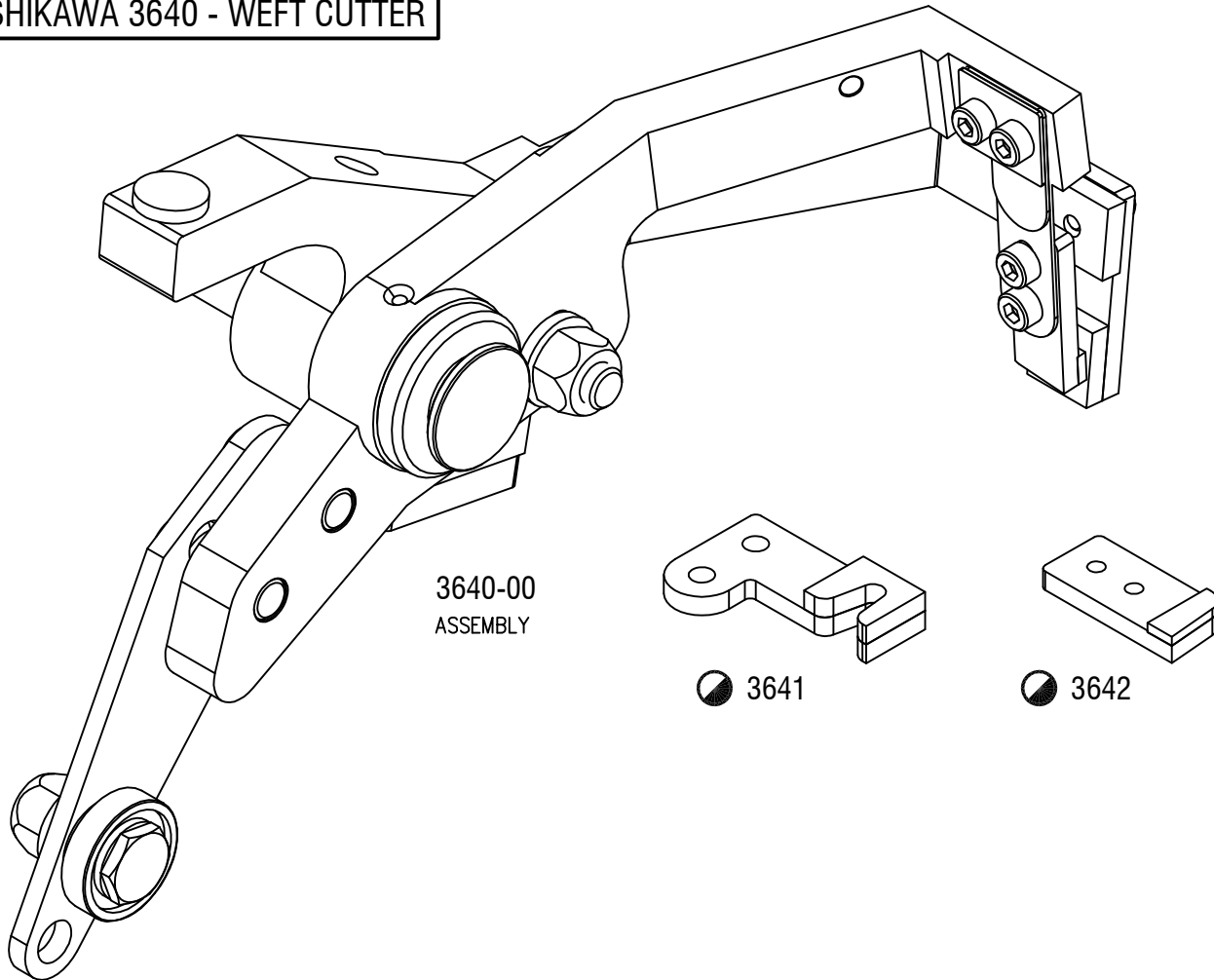


● 3621L

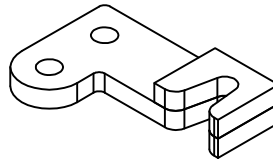


● 3622L

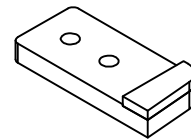
## ISHIKAWA 3640 - WEFT CUTTER



3640-00  
ASSEMBLY

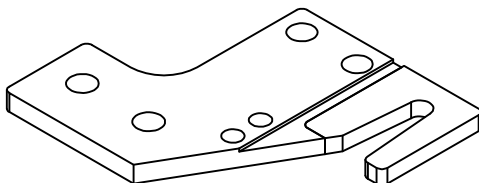


● 3641

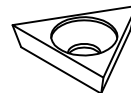


● 3642

## ISHIKAWA 3630 - WEFT CUTTER



● 3631

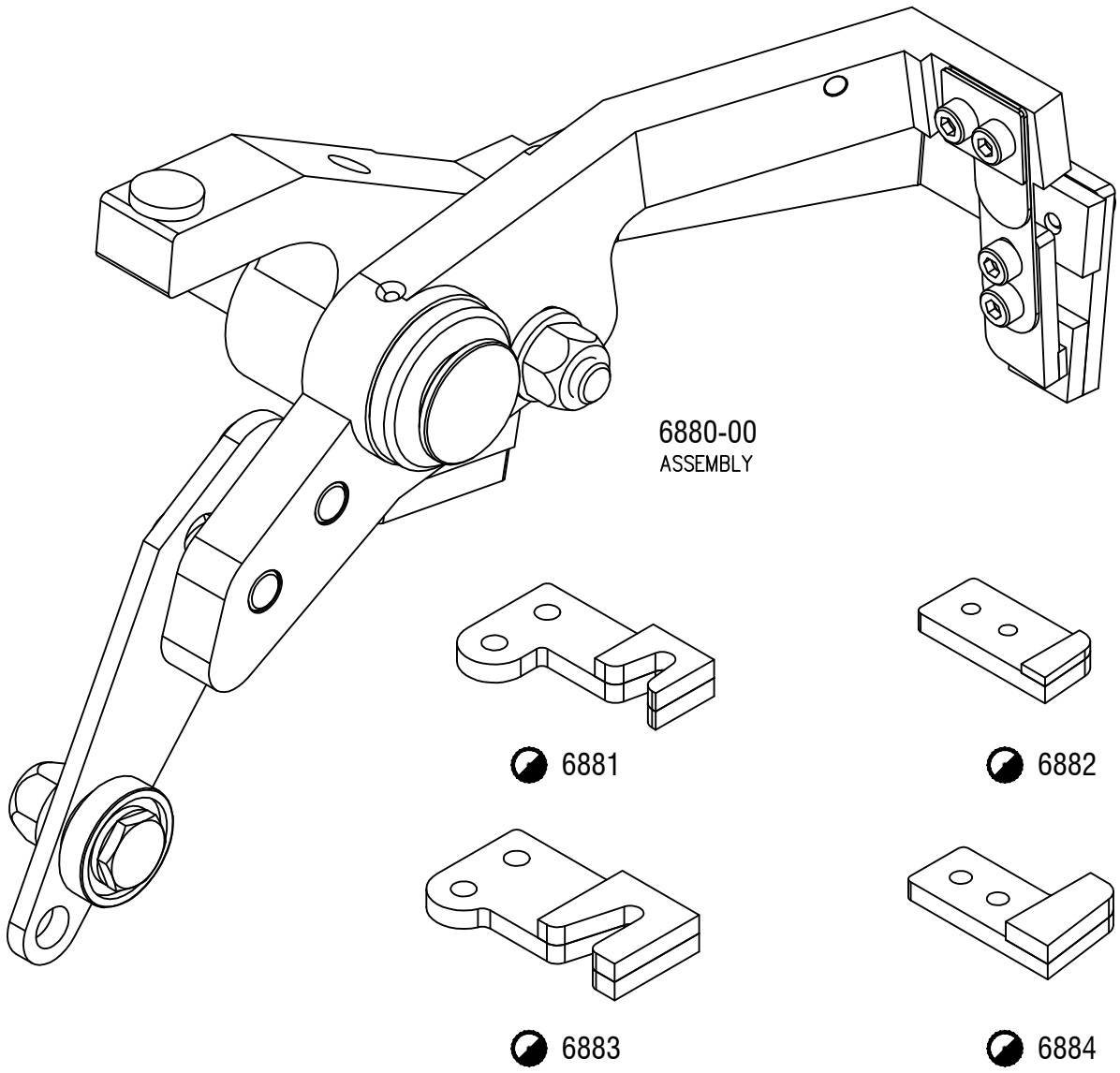


● 3632

MATERIAL CODE : ● SOLID CARBIDE , ◐ BRAZED CARBIDE , ★ SPECIAL APPLICATION, ● WITH HARDWARE

# FOR PHOENIX RAPIER

## PHOENIX 6880 - WEFT CUTTER



6880-00  
ASSEMBLY

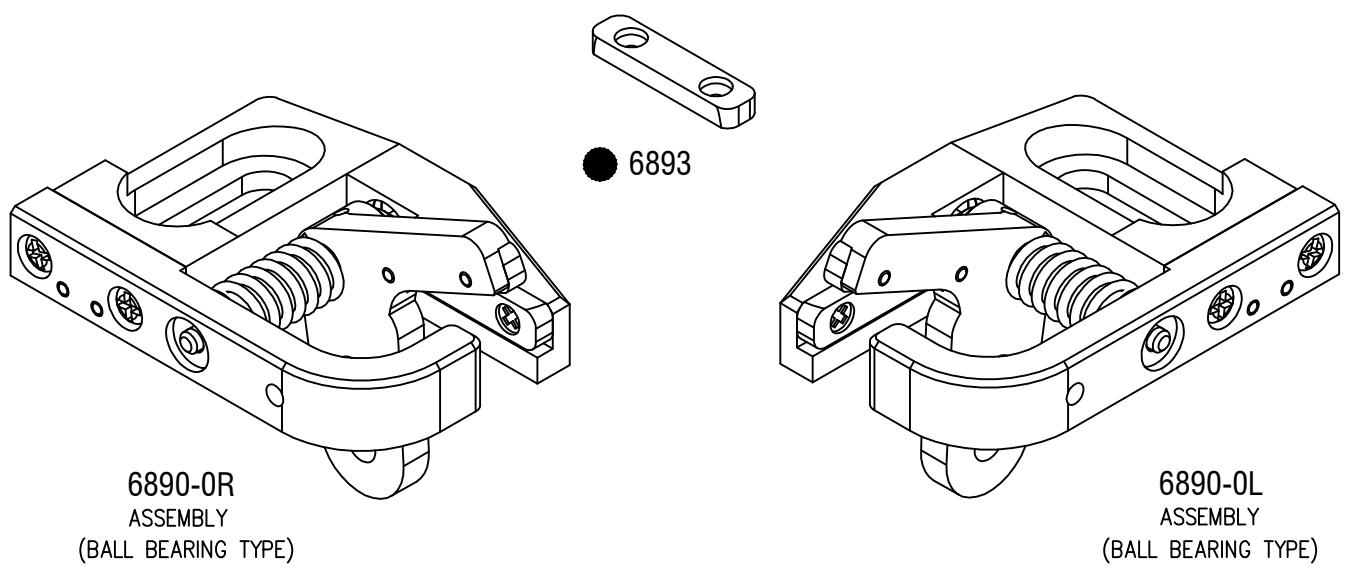
● 6881

● 6882

● 6883

● 6884

## PHOENIX 6890 - SELVEDGE CUTTER RH & LH



● 6893

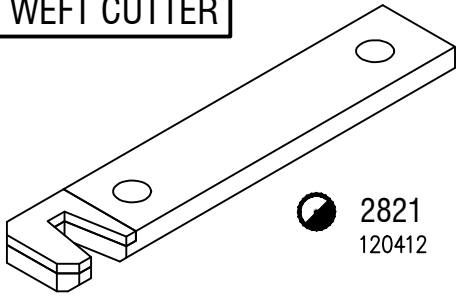
6890-0R  
ASSEMBLY  
(BALL BEARING TYPE)

6890-0L  
ASSEMBLY  
(BALL BEARING TYPE)

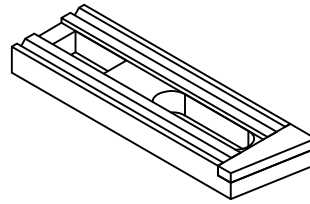
MATERIAL CODE : ● SOLID CARBIDE , ◐ BRAZED CARBIDE , ★ SPECIAL APPLICATION, ● WITH HARDWARE

# FOR DRAPER AIR JET & PANTER RAPIER

## DRAPER 2820 - WEFT CUTTER

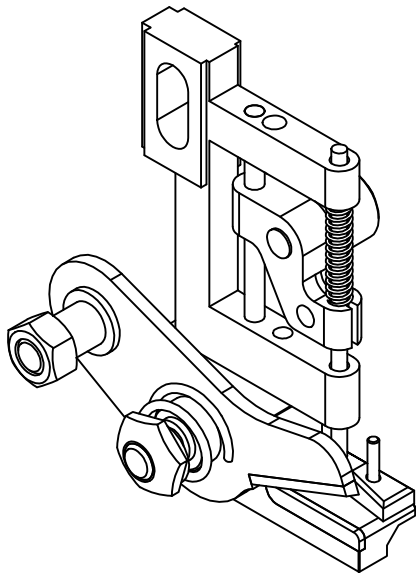


● 2821  
120412

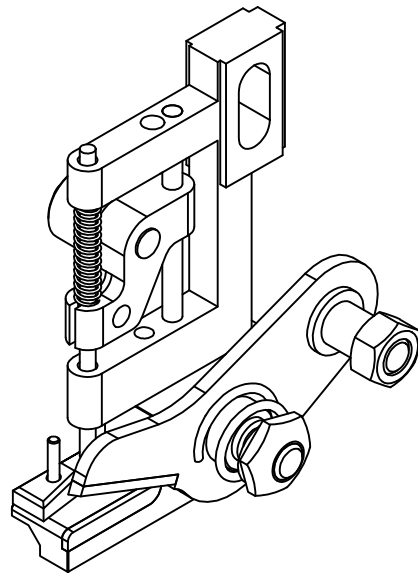


● 2822  
120418

## DRAPER 2810 - TUCK IN SELVEDGE CUTTER RH & LH

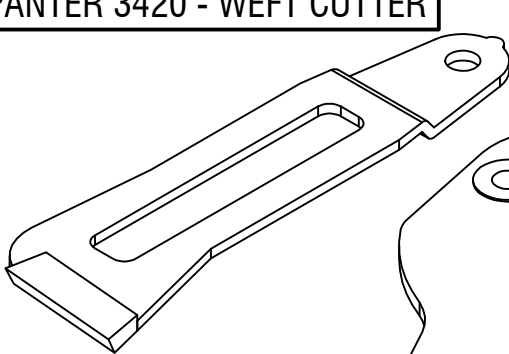


2810-0R  
ASSEMBLY RH

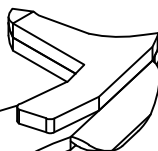


2810-0L  
ASSEMBLY LH

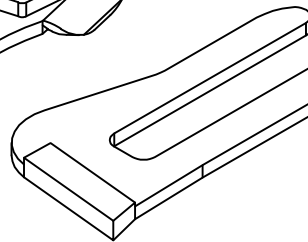
## PANTER 3420 - WEFT CUTTER



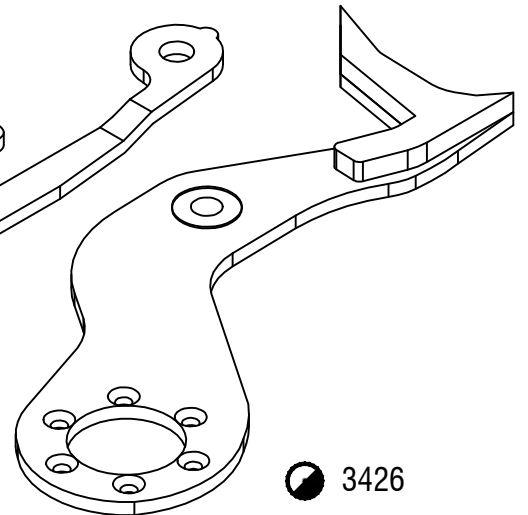
● 3421



● 3422

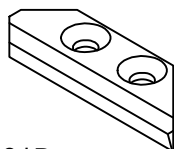


● 3425

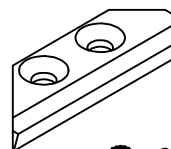


● 3426

## PANTER 3430 - SELVEDGE CUTTER RH & LH



● 3431R  
(3251R)

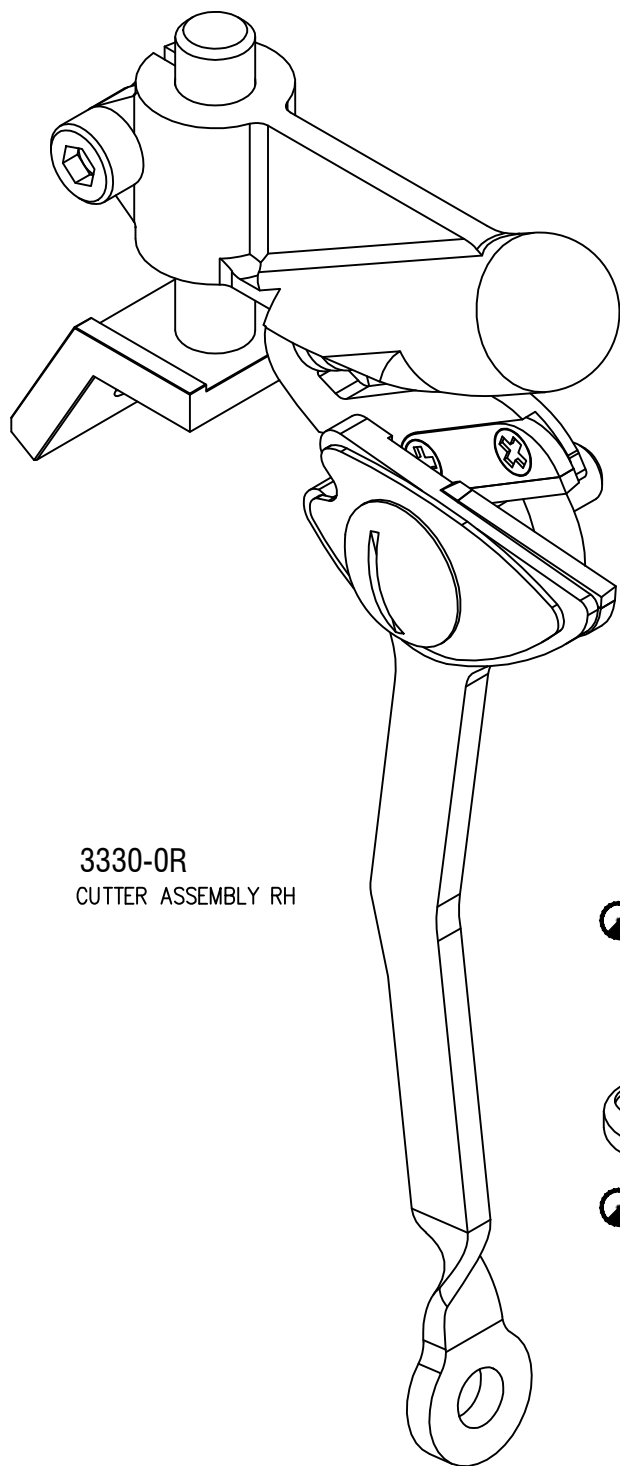


● 3431L  
(3251L)

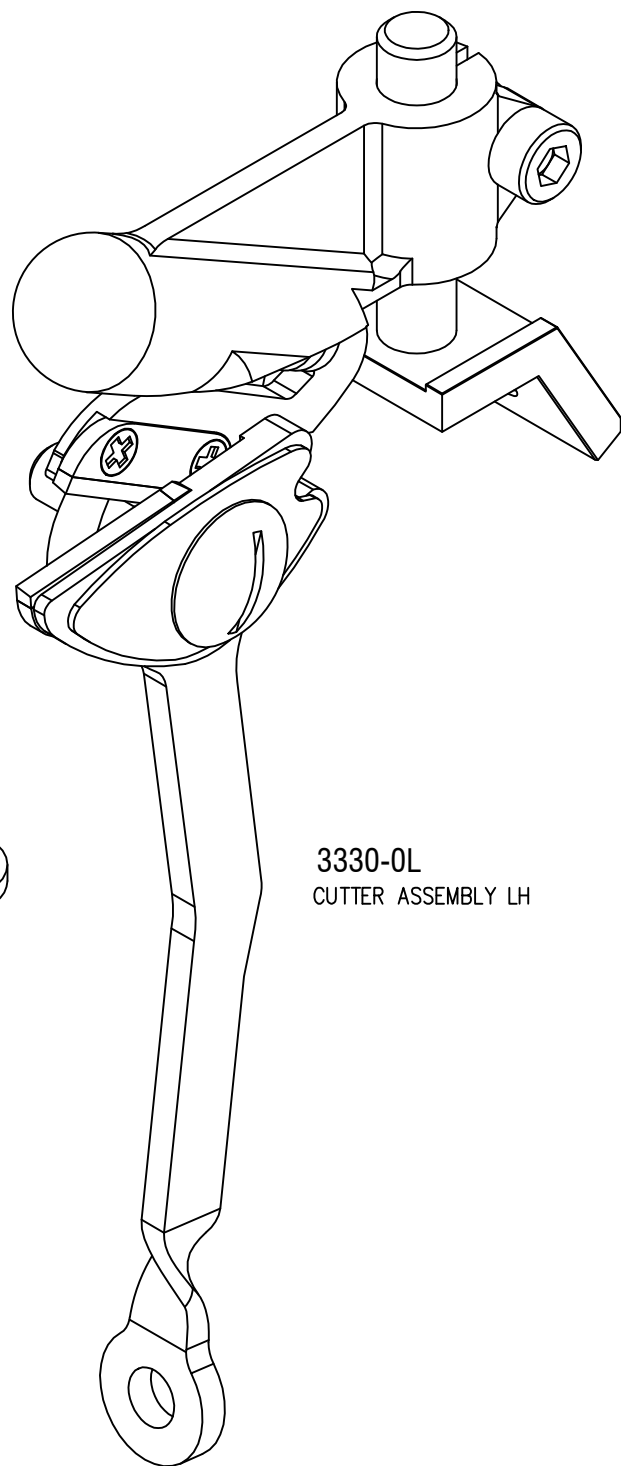
MATERIAL CODE : ● SOLID CARBIDE , ● BRAZED CARBIDE , ★ SPECIAL APPLICATION, ● WITH HARDWARE

# FOR QMATEX RAPIER

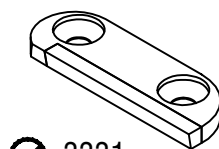
## QMATEX 3330 - SELVEDGE CUTTER RH & LH



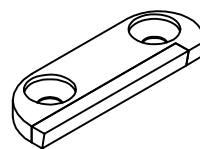
3330-0R  
CUTTER ASSEMBLY RH



3330-0L  
CUTTER ASSEMBLY LH

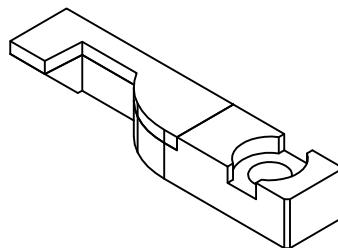


● 3331  
CMN 411

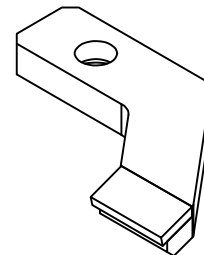


● 3332  
CMN 410

## QMATEX 3340 - WEFT CUTTER



● 3341  
R 62076 X  
A1L 146 AV  
R 72076 X

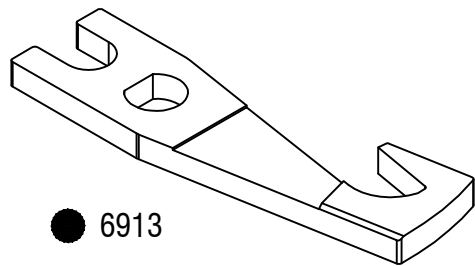


● 3342  
A1 L148 AR  
R 62077X

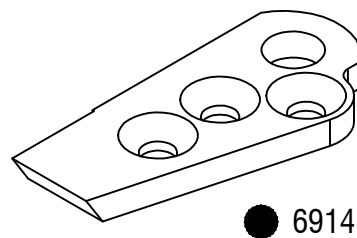
MATERIAL CODE : ● SOLID CARBIDE , ◐ BRAZED CARBIDE , ★ SPECIAL APPLICATION, ◐ WITH HARDWARE

# FOR CHINA RAPIER & AIR JET

## CHINA 6910 - WEFT CUTTER

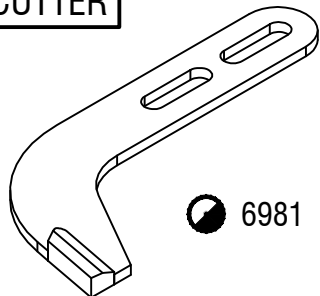


● 6913

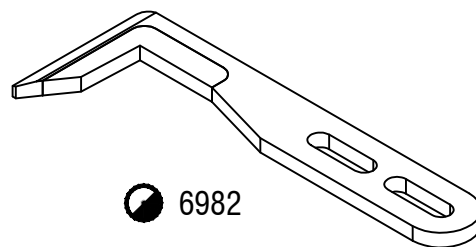


● 6914

## RIFA 6980 - WEFT CUTTER

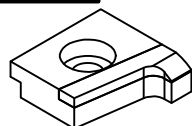


● 6981

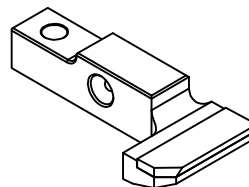


● 6982

## CHINA 6990 - WEFT CUTTER

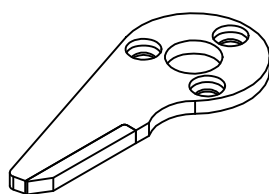


● 6993

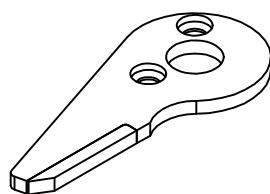


● 6994

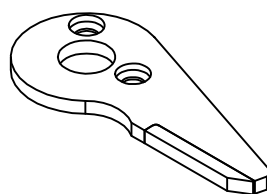
## CHINA 6940 - SELVEDGE CUTTER RH & LH



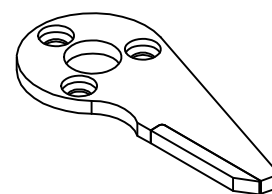
● 6941R



● 6942R

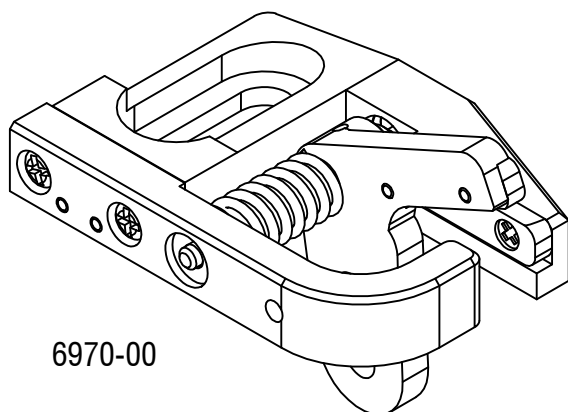


● 6942L



● 6941L

## RIFA 6970 - SELVEDGE CUTTER



6970-00



● 6971



● 6972

MATERIAL CODE : ● SOLID CARBIDE , ● BRAZED CARBIDE , ★ SPECIAL APPLICATION, ● WITH HARDWARE