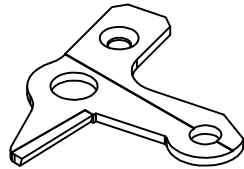
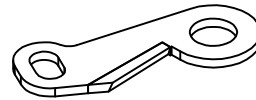


FOR SCHLAFHORST SPECIAL MATERIAL / APPLICATION

SCHLAFHORST 9910 - SPLICER SCISSOR ADVANCE CUTTING

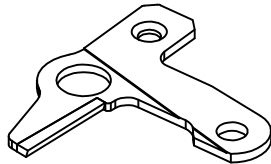


● 9911

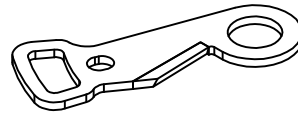


● 9912

SCHLAFHORST 9920 - SPLICER SCISSOR ADVANCE CUTTING

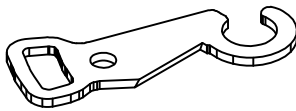


● 9921

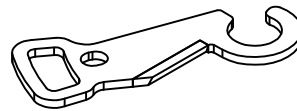


● 9922

SCHLAFHORST 9XX0 - SPLICER SCISSOR

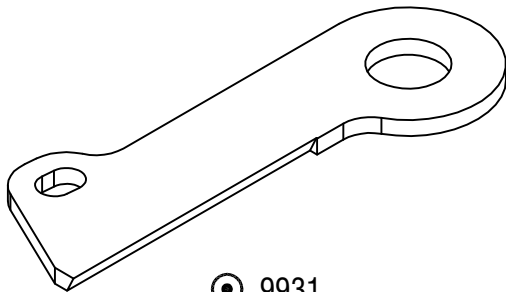


● 9XX2

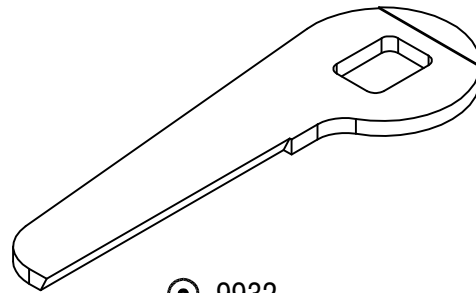


● 9XX4

SCHLAFHORST 9930 - TIN COATED

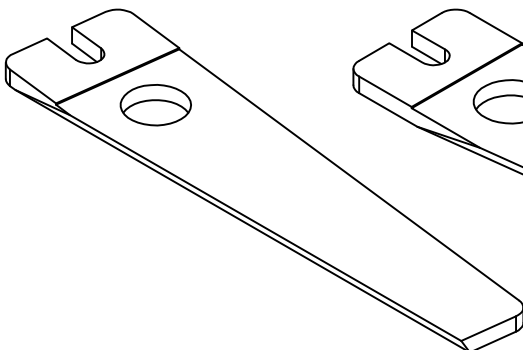


⊙ 9931

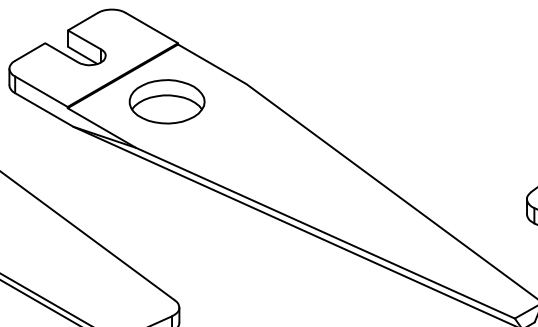


⊙ 9932

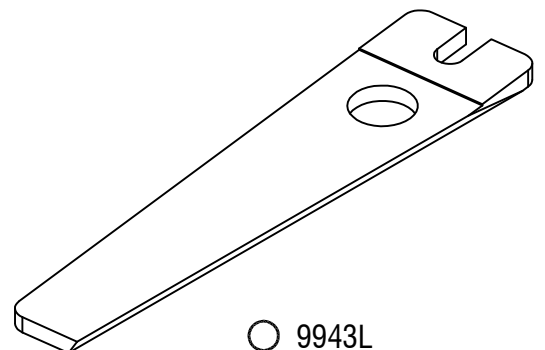
SCHLAFHORST 9940 - STEEL



○ 9943R



○ 9943



○ 9943L

MATERIAL CODE : ● SOLID CARBIDE , ○ HSS, ● BRAZED CARBIDE , ► ZIRCONIA CERAMIC ⊙ TiN COATING