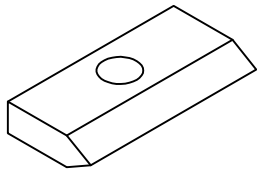
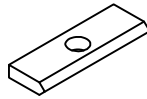


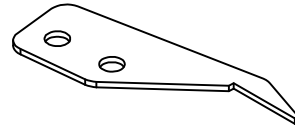
# FOR OTHER TEXTILE CUTTING APPLICATION



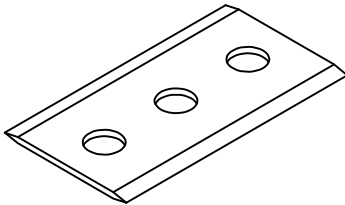
○ 7602  
BARMAG - SDW10



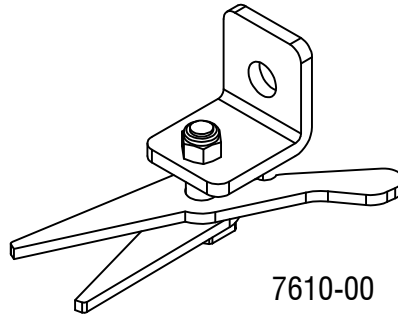
○ 7604(7653)  
BARMAG ES14



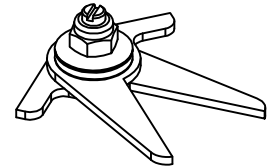
○ 7607  
BARMAG CRAFT



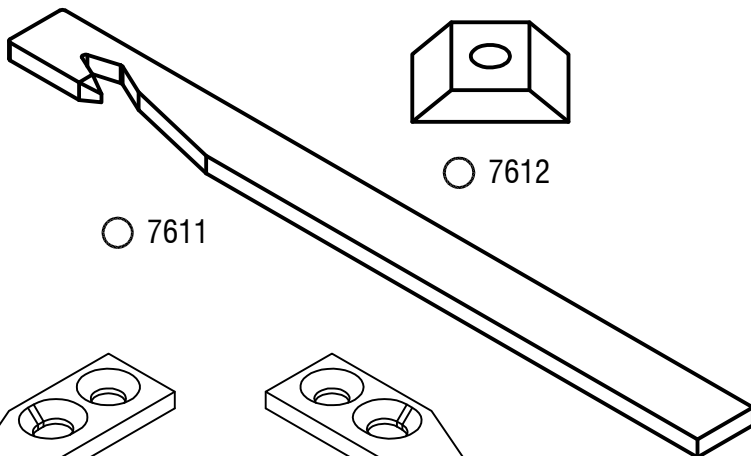
● 7609  
PIRN WINDING



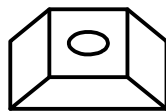
7610-00  
TMT



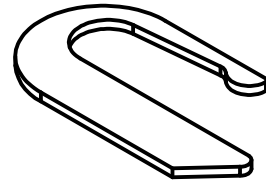
7614-00  
BARMAG



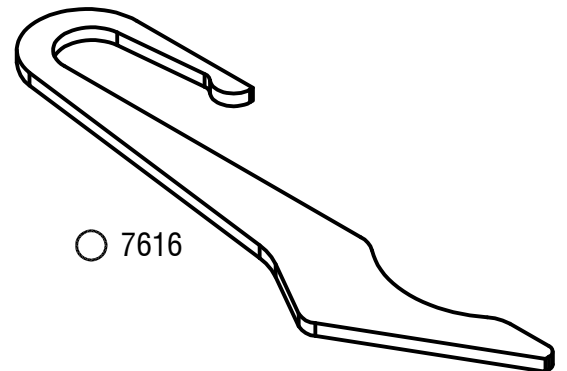
○ 7611



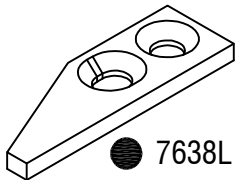
○ 7612



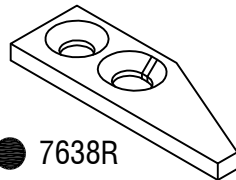
○ 7615



○ 7616



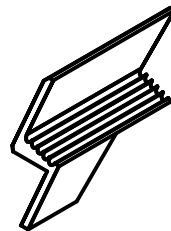
● 7638L



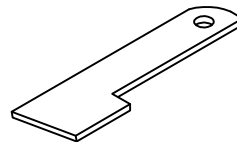
● 7638R



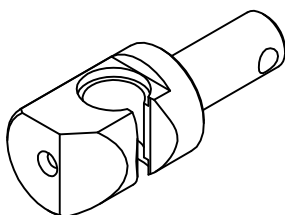
○ 7621  
DYNAFIL - ZELLWEGER  
CUCCON WINDING



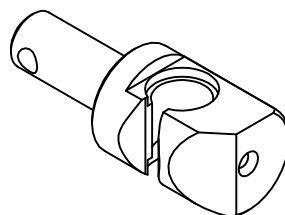
○ 7645  
1209/01  
A-90-7



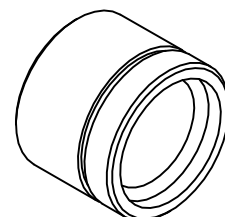
○ 7646  
1208



○ 7633R



○ 7633L



○ 7634

MATERIAL CODE : ● SOLID CARBIDE , ○ HSS , ◐ BRAZED CARBIDE , ► ZIRCONIA CERAMIC ⊙ TIN COATING